

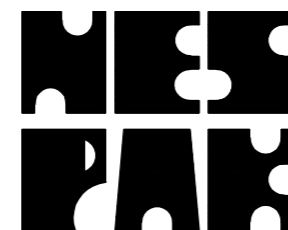


**UNITED NATIONS HIGH COMMISSIONER
FOR REFUGEES (UNHCR)**

**RENOVATION/MAINTENANCE WORKS AT
UNHCR OFFICE, SECTOR G-4, ISLAMABAD**

DRAWINGS

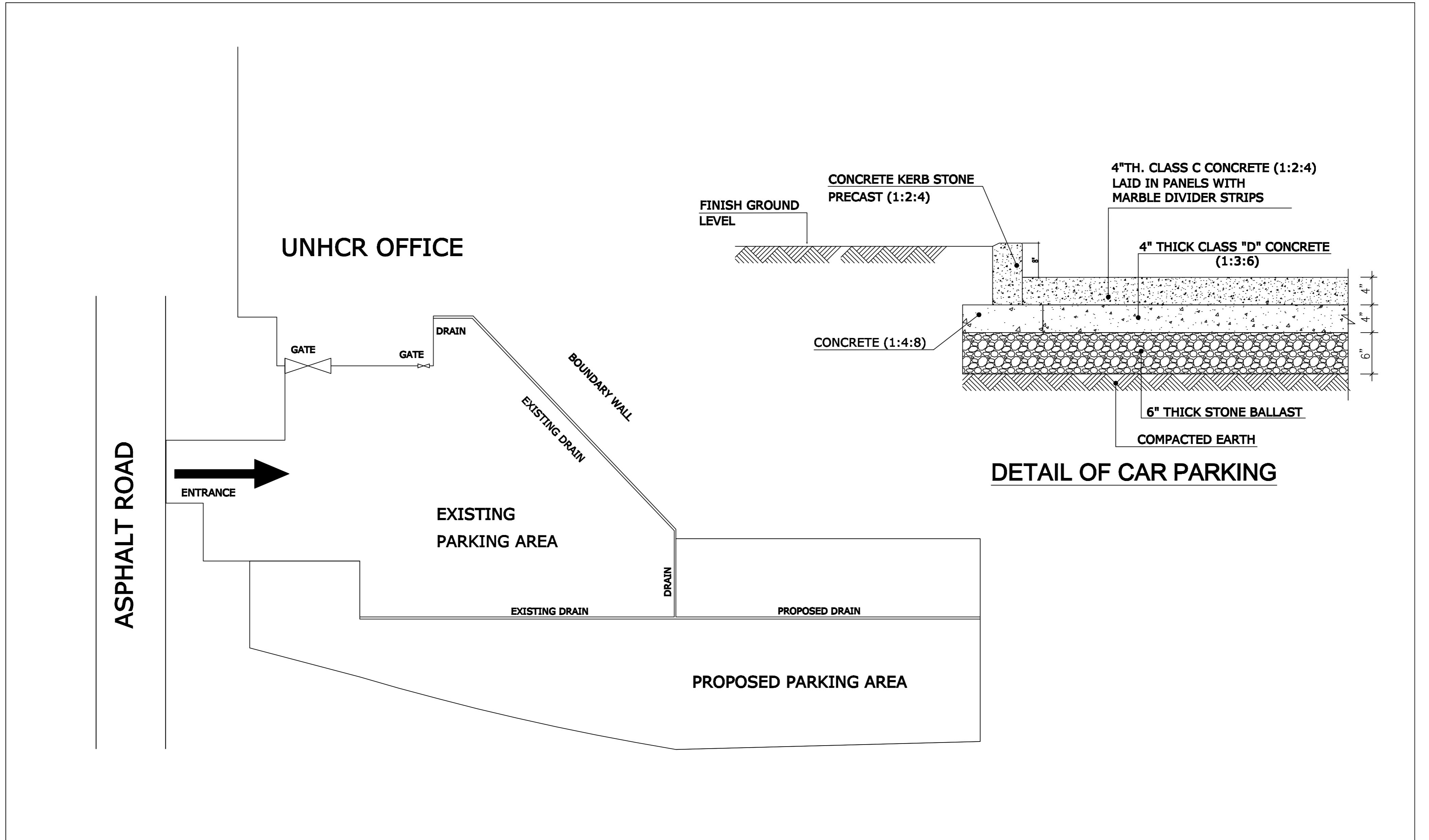
AUGUST, 2022



NATIONAL ENGINEERING SERVICES PAKISTAN (PVT) LIMITED
NESPAK HOUSE, Sector-G, 5/2, P. O. Box 2461, Islamabad
PHONE : (0092 51) 9221910-13 - Fax : (0092 51) 9221914
E-mail: nespak@cyber.net.pk Website: www.nespak.com.pk

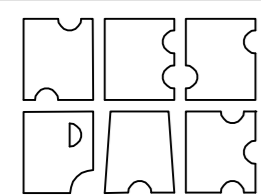
Clearance Code	4199/321/M/122(22)	Doc No.	4199-03	Rev No.	2
----------------	--------------------	---------	---------	---------	---

1- CAR PARKING



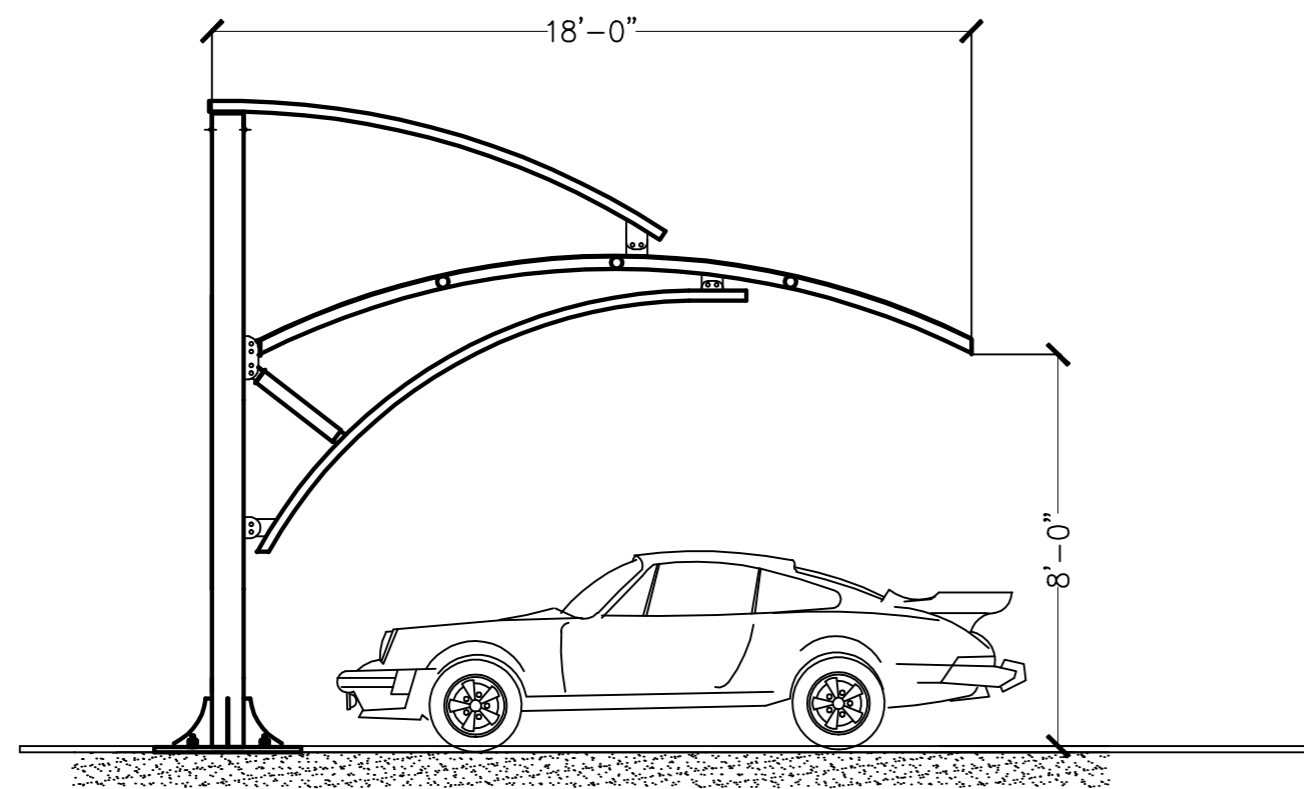
UNHCR PAKISTAN

CAR PARKING PLAN & SECTION

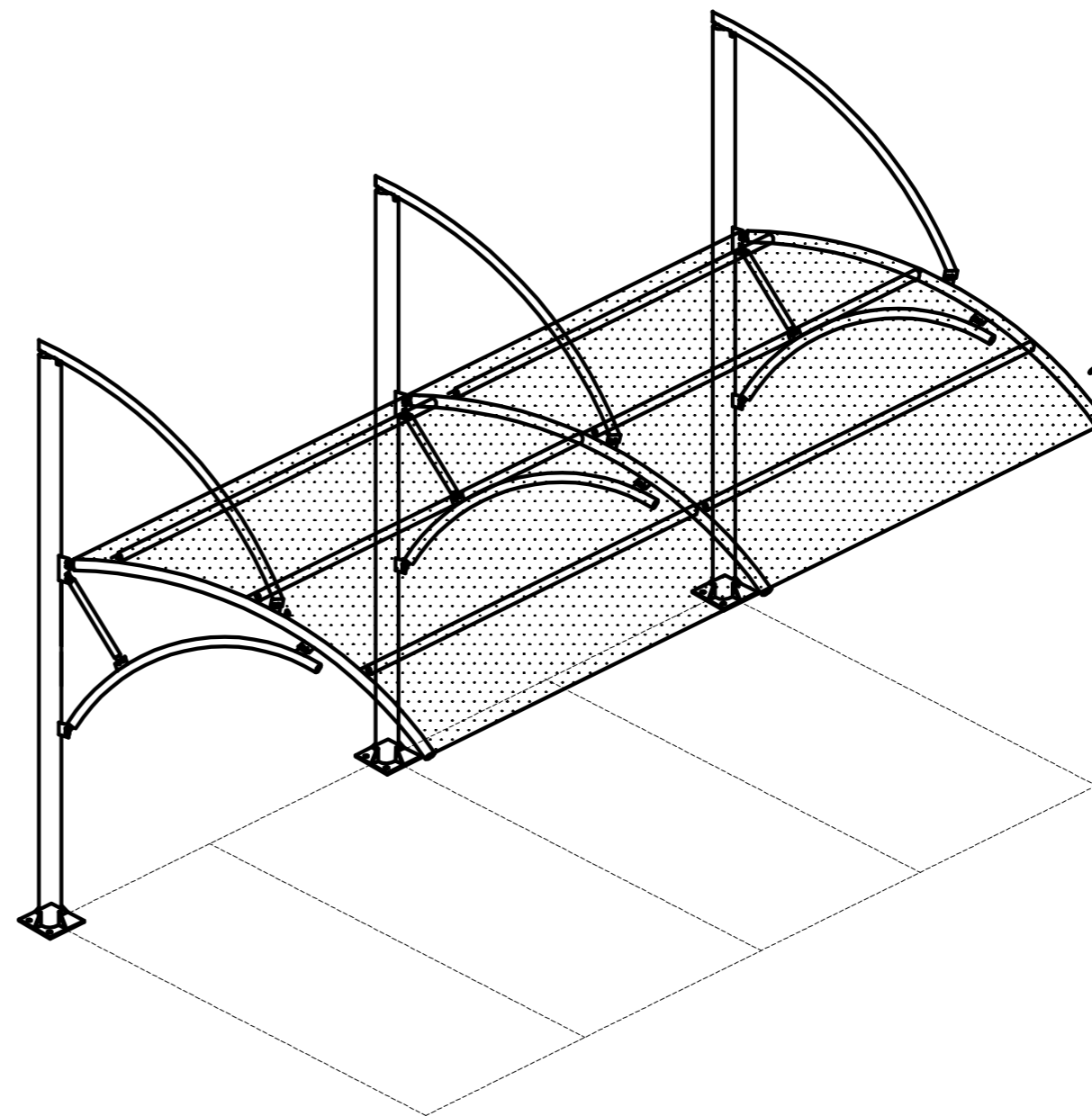


NATIONAL ENGINEERING SERVICES
PAKISTAN (PVT.) LTD. ISLAMABAD

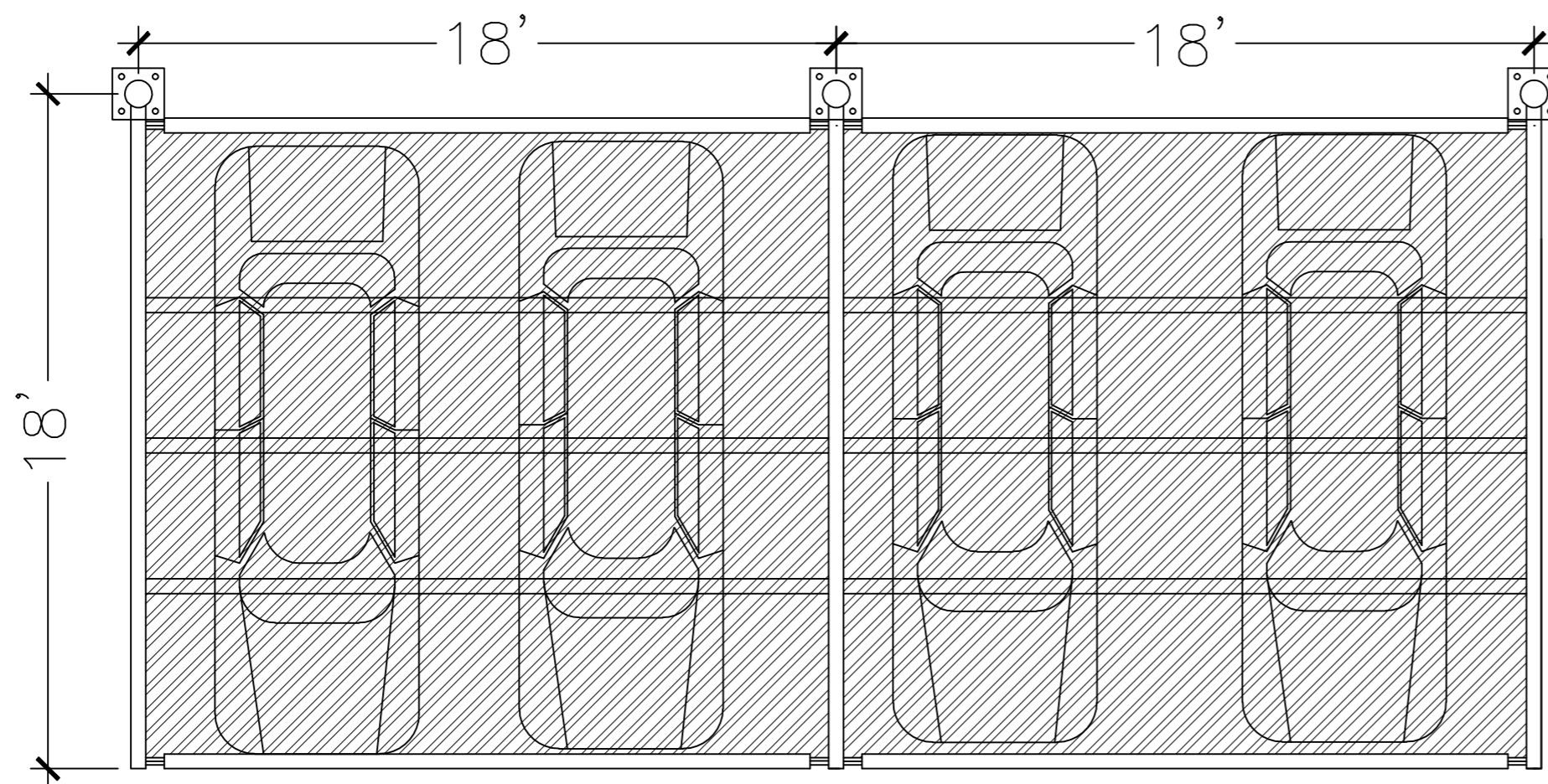
SCALE N.T.S	NO. 4199/322/BD/01B01	REV. 0
DATE AUGUST, 22		



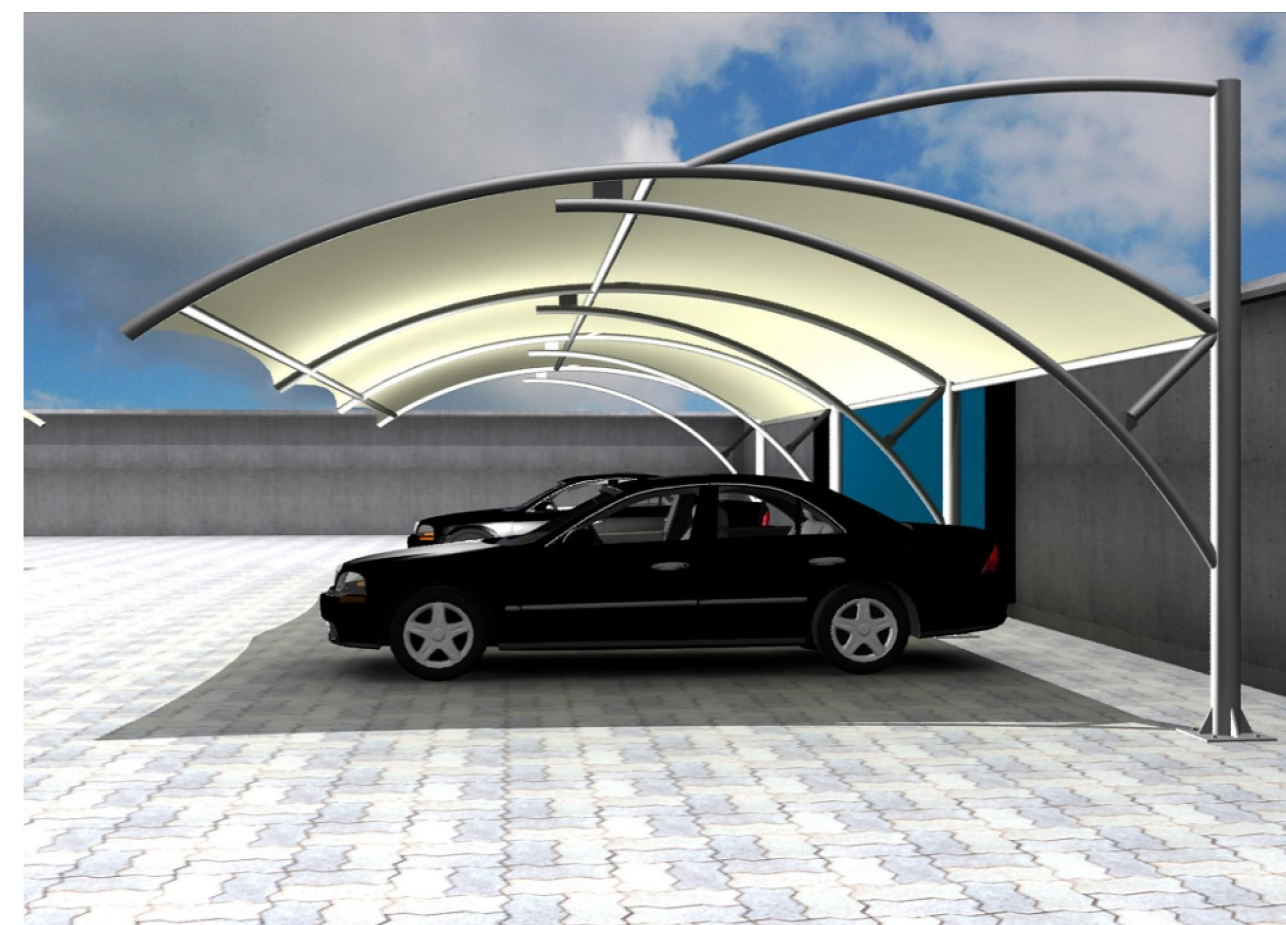
ELEVATION VIEW



PERSPECTIVE VIEW

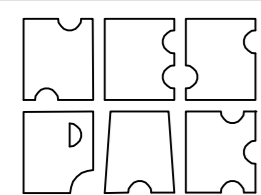


PLAN VIEW



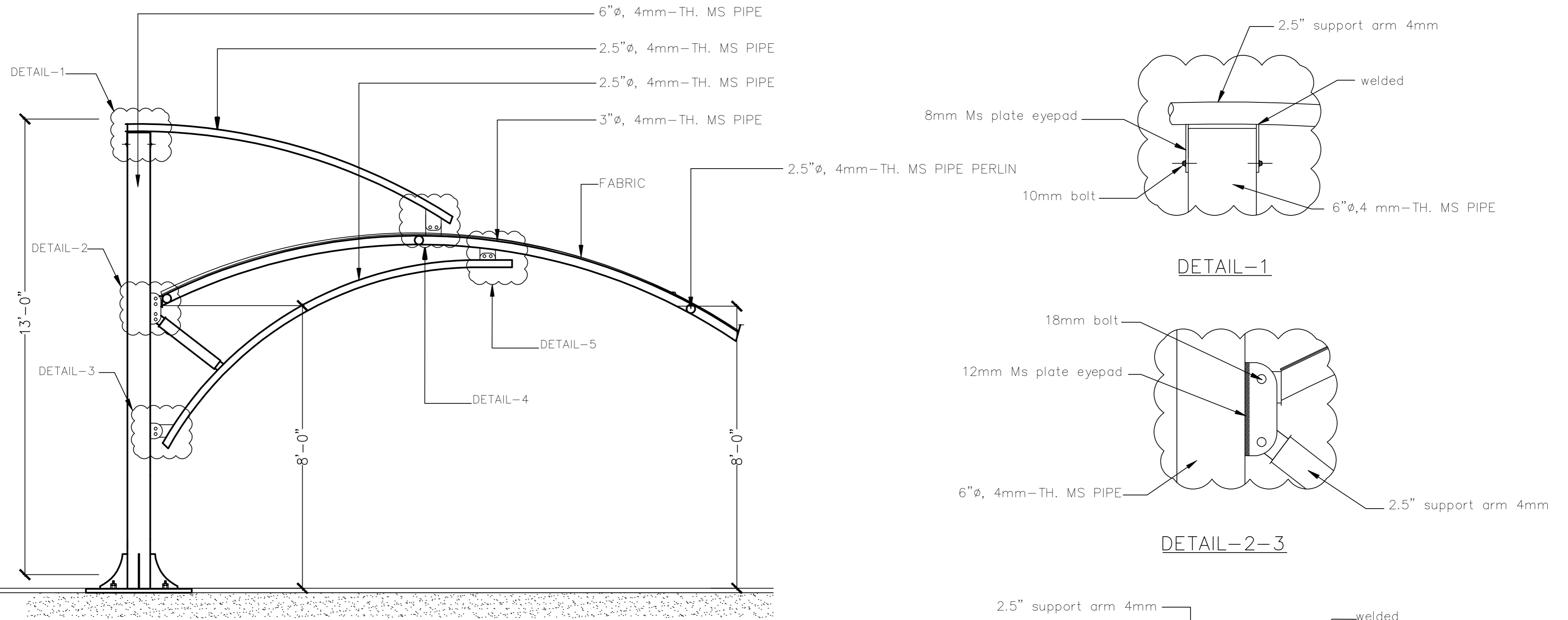
UNHCR PAKISTAN

CAR PARKING SHADE

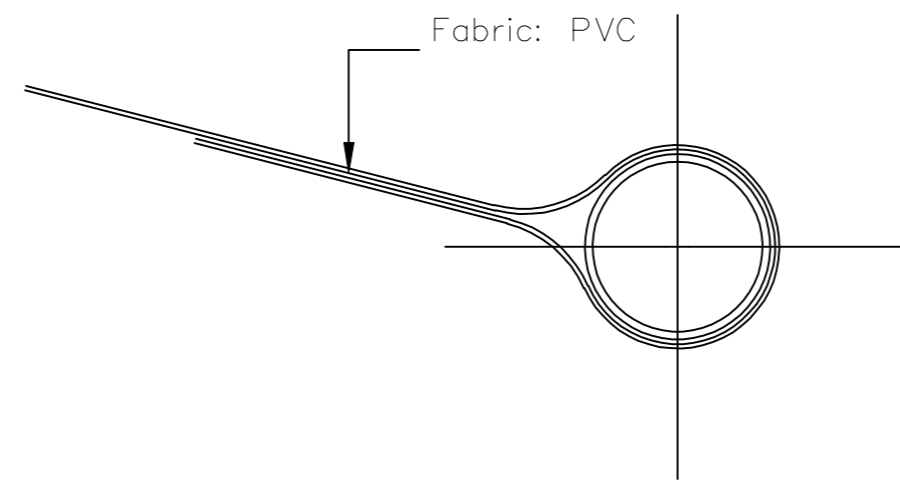


NATIONAL ENGINEERING SERVICES
PAKISTAN (PVT.) LTD. ISLAMABAD

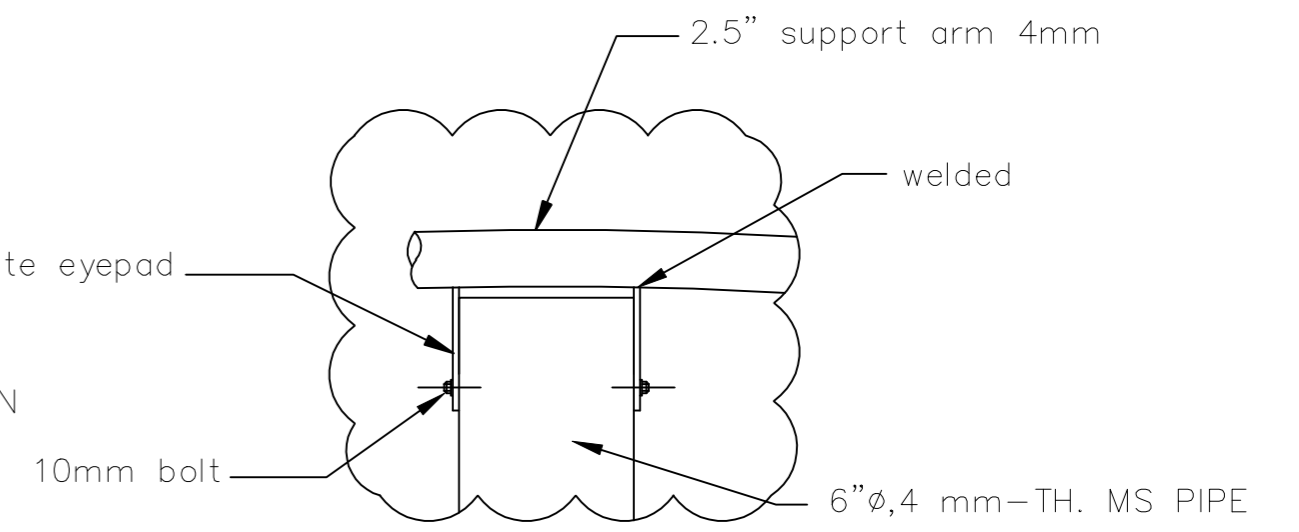
SCALE N.T.S	NO. 4199/322/BD/01B02	REV. 0
DATE AUGUST, 22		



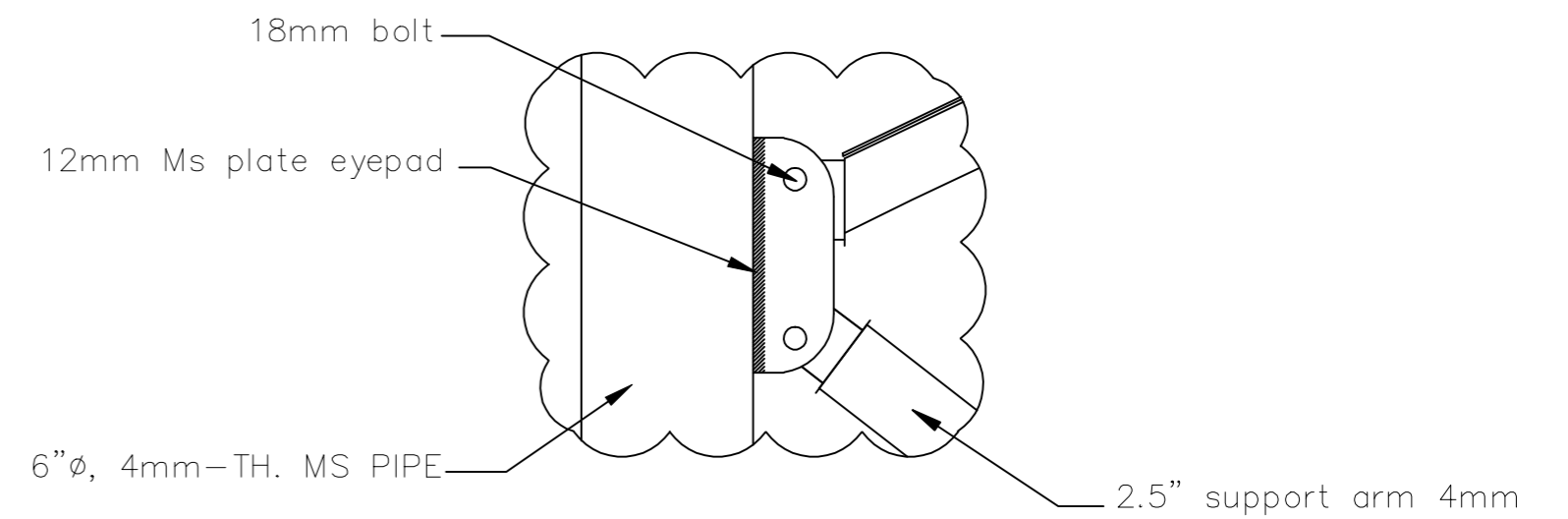
ELEVATION VIEW



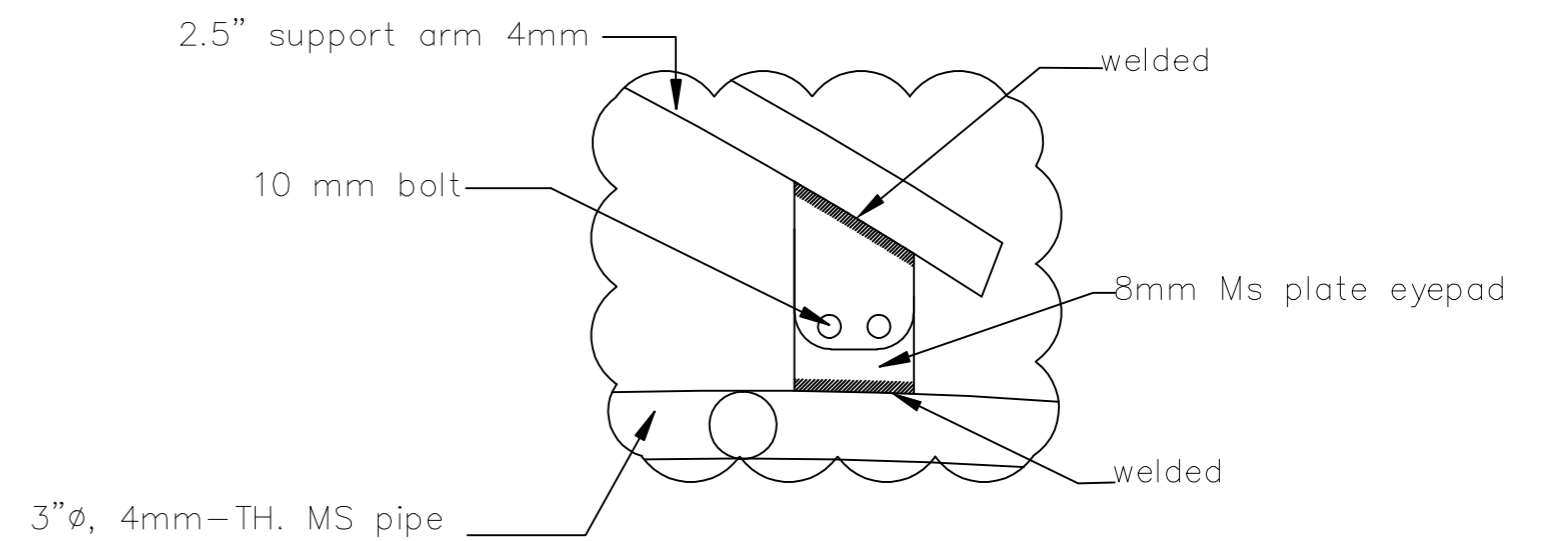
FABRIC FIXING DETAIL



DETAIL-1



DETAIL-2-3

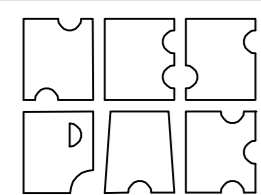


DETAIL-4-5



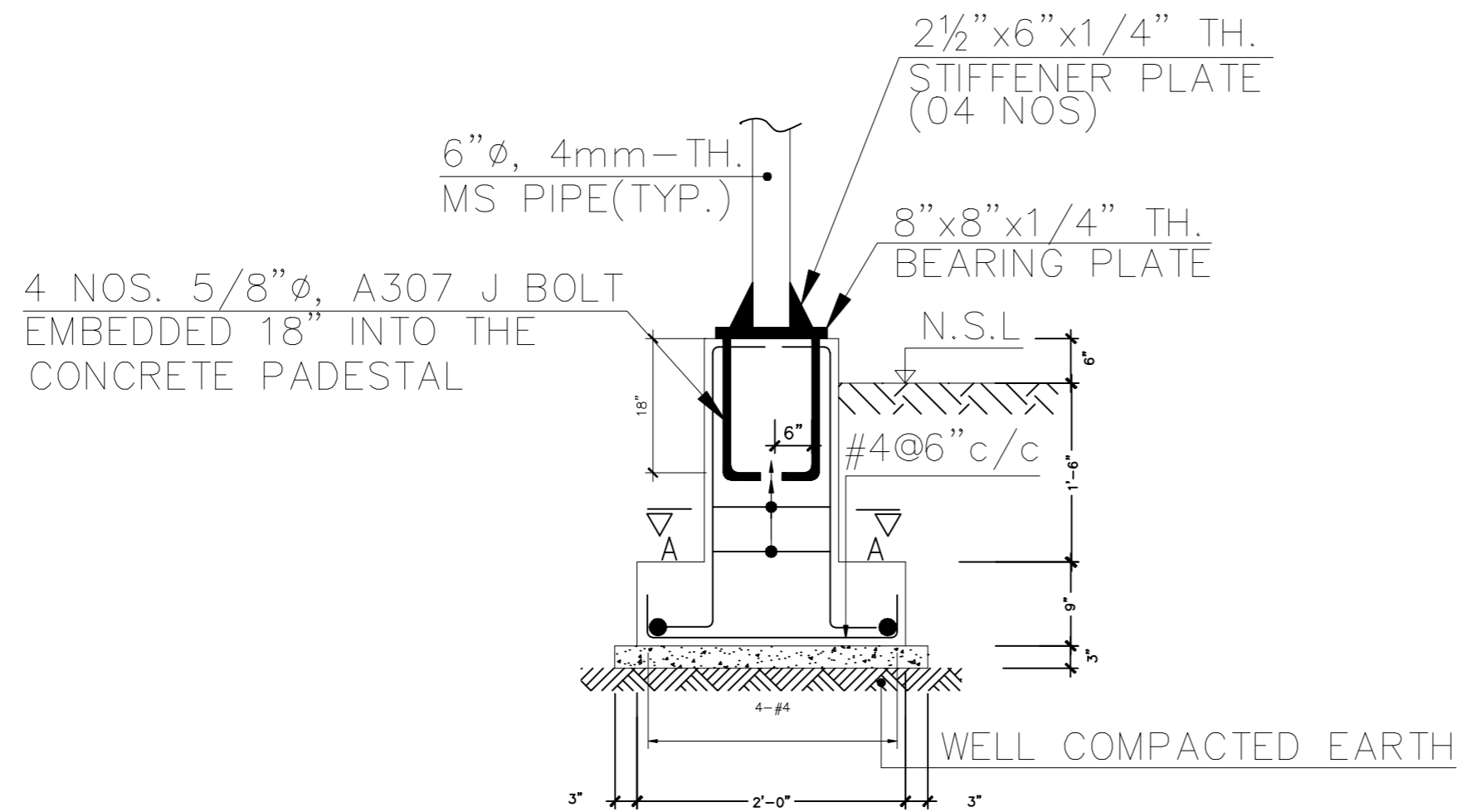
UNHCR PAKISTAN

CAR PARKING SHADE

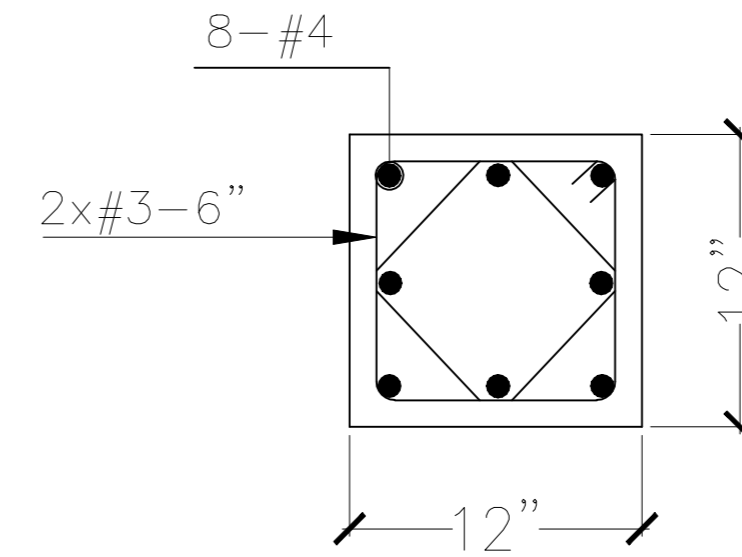


NATIONAL ENGINEERING SERVICES
PAKISTAN (PVT.) LTD. ISLAMABAD

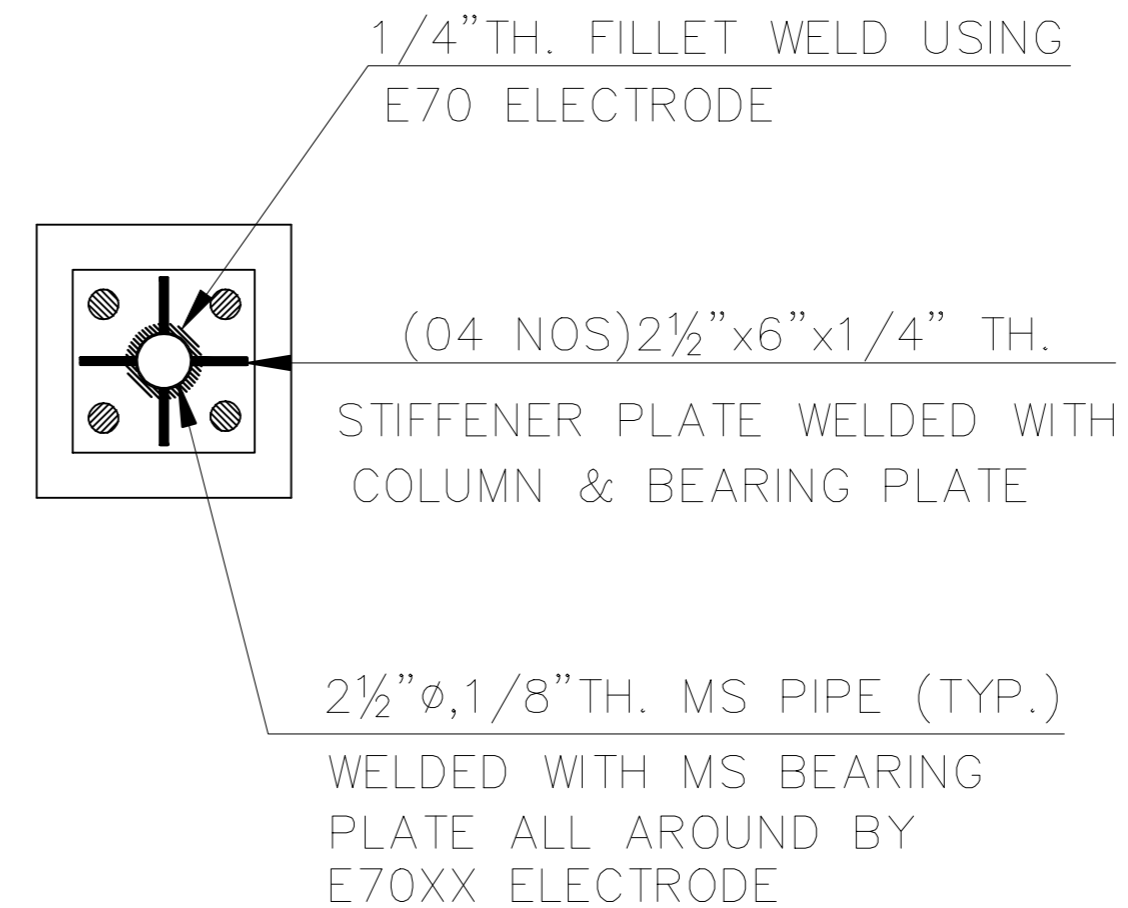
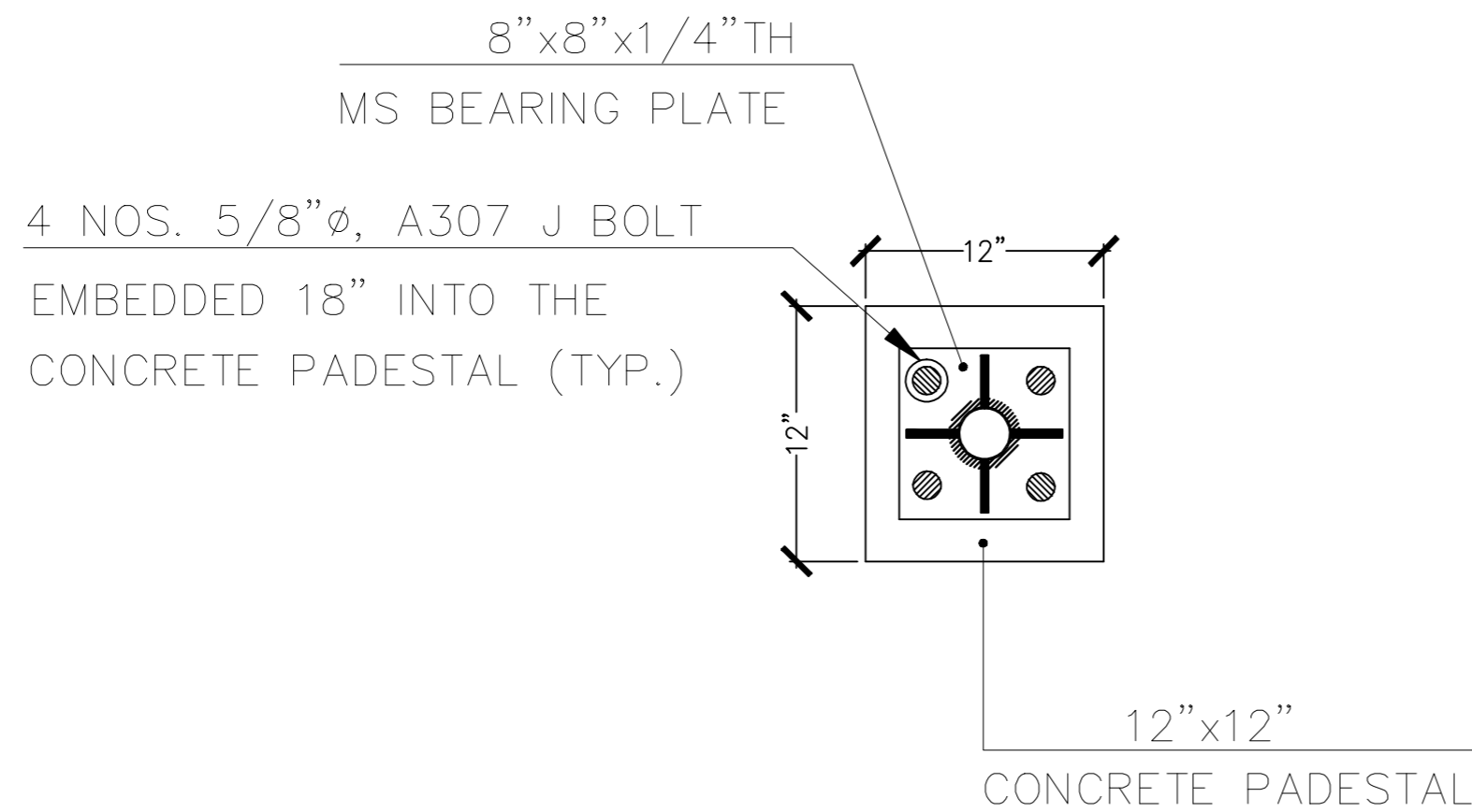
SCALE N.T.S	NO. 4199/323/BD/01G01	REV. 0
DATE AUGUST, 22		



TYP. SECTION OF PADESTAL & FOOTING



SECTION A-A

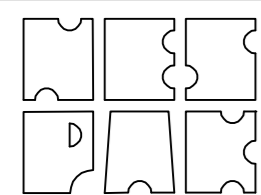


DETAIL 'A'



UNHCR PAKISTAN

CAR PARKING SHADE



NATIONAL ENGINEERING SERVICES
PAKISTAN (PVT.) LTD. ISLAMABAD

SCALE N.T.S	NO. 4199/323/BD/01G02	REV. 0
DATE AUGUST, 22		

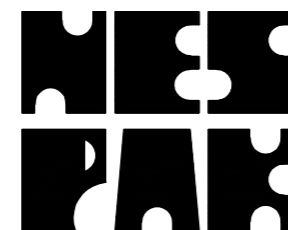


**UNITED NATIONS HIGH COMMISSIONER
FOR REFUGEES (UNHCR)**

**RENOVATION/MAINTENANCE WORKS AT
UNHCR OFFICE, SECTOR G-4, ISLAMABAD**

DRAWINGS

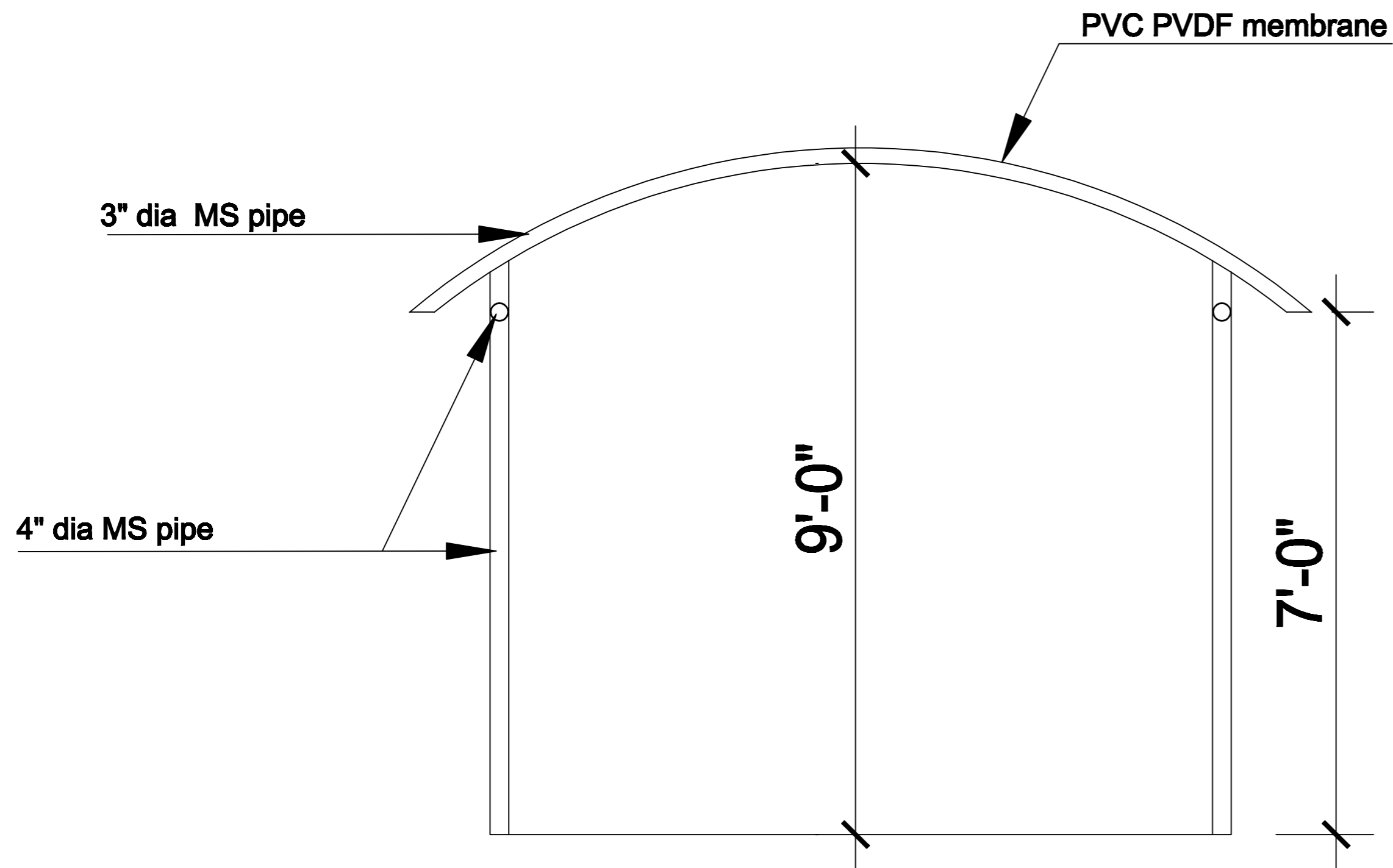
AUGUST, 2022



NATIONAL ENGINEERING SERVICES PAKISTAN (PVT) LIMITED
NESPAK HOUSE, Sector-G, 5/2, P. O. Box 2461, Islamabad
PHONE : (0092 51) 9221910-13 - Fax : (0092 51) 9221914
E-mail: nespak@cyber.net.pk Website: www.nespak.com.pk

Clearance Code	4199/321/M/122(22)	Doc No.	4199-03	Rev No.	2
----------------	--------------------	---------	---------	---------	---

1- WALKWAY SHED

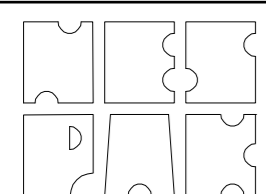


**TYPICAL DETAILS OF 6' WIDE
WALKWAY SHED (50 FT LENGTH)**



UNHCR PAKISTAN

WALKWAY SHED



NATIONAL ENGINEERING SERVICES
PAKISTAN (PVT.) LTD. ISLAMABAD

SCALE N.T.S	NO. 4199/322/BD/01B01	REV. 0
DATE AUGUST,22		