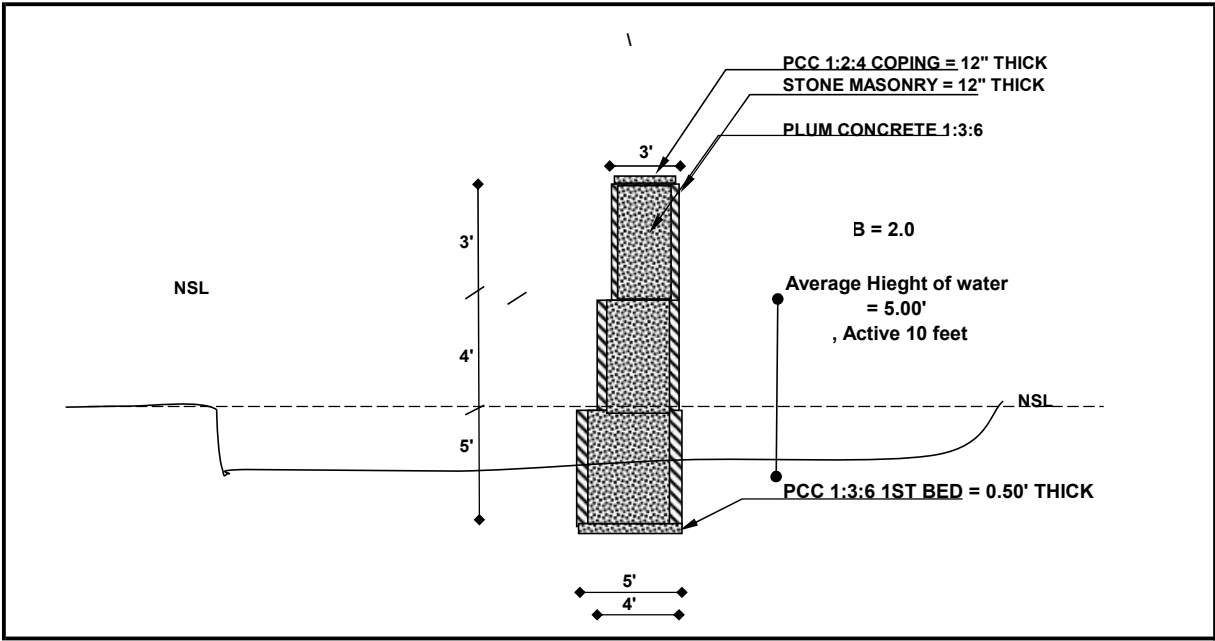


CONSTRUCTION OF FLOOD PROTECTION WALL AT SURKHAB RV AREA DISTRICT PISHIN
TYPICAL X - SECTION OF PROTECTION WALL



ANNEX-B7