

**PROPOSED DESIGN OF  
(BOUNDARY WALL)  
GBES BANGASH COLONY  
PIRWADHAI RAWALPINDI  
DISTRICT ATTOCK**



**PLANNERS CONSULTANTS ENGINEERS (PCE)**

97-K Industrial Estate, Hayatabad Peshawar Pakistan  
Ph: 0092-91-5816017, 5891661-4, Fax: 5891845  
E-Mail: pce.pesh@yahoo.com

## LIST OF DRAWINGS

ARCHITECTURAL DRAWINGS				STRUCTURAL DRAWINGS			
SR.NO	DESCRIPTION	DRG. NO.	SR.NO	DESCRIPTION	DRG. NO.		
1	PLAN OF BOUNDARY WALL	A-01	5	GENERAL NOTES	S-01		
2	FRONT ELEVATION OF BOUNDARY WALL	A-02	6	GENERAL NOTES	S-02		
3	SECTION AT A.A	A-03	7	FOUNDATION PLAN	S-03		
4	DETAIL B.B	A-04	8	COLUMN LAYOUT PLAN	S-04		
			9	COLUMN SECTION DETAIL	S-05		

CLIENT:



CONSULTANTS:

**PLANNERS CONSULTANTS ENGINEERS (PCE)**

97-K Industrial Estate, Hayatabad Peshawar Pakistan  
 Ph: 0092-91-5816017, 5891661-4, Fax: 5891845  
 E-Mail: pce.pesh@yahoo.com

SCHOOL NAME

GBES BANGASH COLONY  
 PIRWADHAI RAWALPINDI  
 DISTRICT ATTOCK

Date of Revision

Prepared By

ARCHITECT

PROJECT:

PREPARATION OF DESIGN DRAWINGS & BOQS  
 FOR CONSTRUCTION/REHABILITATION OF SITES

TITLE:

LIST OF DRAWINGS

DATE SEP 2023

SCALE

DRG. NO.

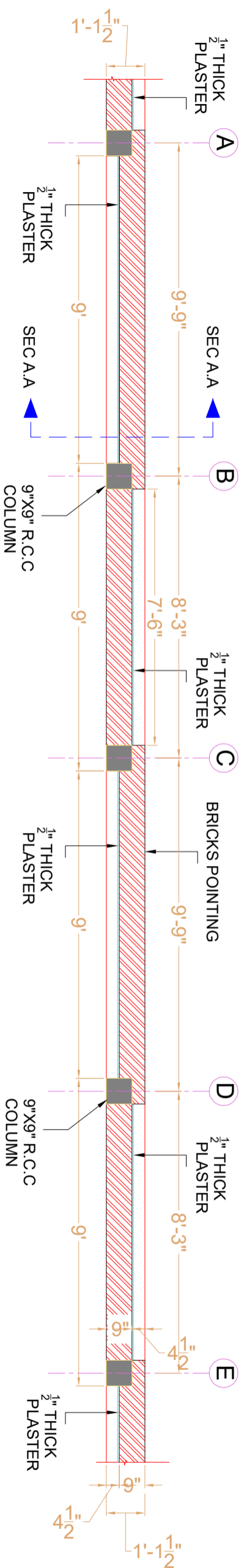
A-00

FARID KHAN  
 KHAN HANIDER

DESIGNED BY  
 MAHWAT KHAN ORAZZAI  
 (B.Arch D.C.E.T Karachi)  
 (M.Arch. UET Lahore)

CHECKED BY

APPROVED BY



## PLAN OF BOUNDARY WALL (104 R FT)

CLIENT:



The UN Refugee Agency

CONSULTANTS:



**PLANNERS CONSULTANTS ENGINEERS (PCE)**

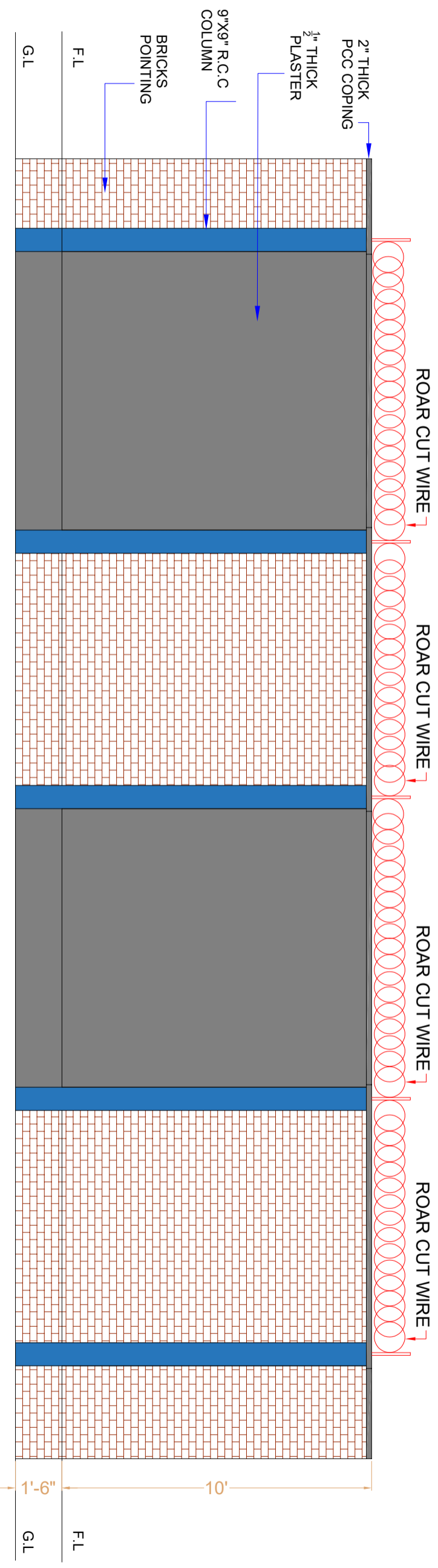
97-K Industrial Estate, Hayatabad Peshawar Pakistan  
Ph: 0092-91-5816017, 5891661-4, Fax: 5891845  
E-Mail: pce.pesh@yahoo.com

SCHOOL NAME

GBES BANGASH COLONY  
PIRWADHAI RAWALPINDI  
DISTRICT ATTOCK

Date of Revision	Prepared By	ARCHITECT
	Designed By	MARWAT KHANORAKZAI (B. Arch. D. CE T Kanesh) (M. Arch. UET, Lahore)
	Checked By	
	Approved By	

PROJECT:	DATE	SCALE	DRG. NO.
PREPARATION OF DESIGN, DRAWINGS & BOOKS FOR CONSTRUCTION/ REHABILITATION OF SITES	SEP 2023		A-01
TITLE:			
PLAN OF BOUNDARY WALL			



## FRONT ELEVATION OF BOUNDARY WALL

CLIENT:



UNHCR  
The UN Refugee Agency

CONSULTANTS:



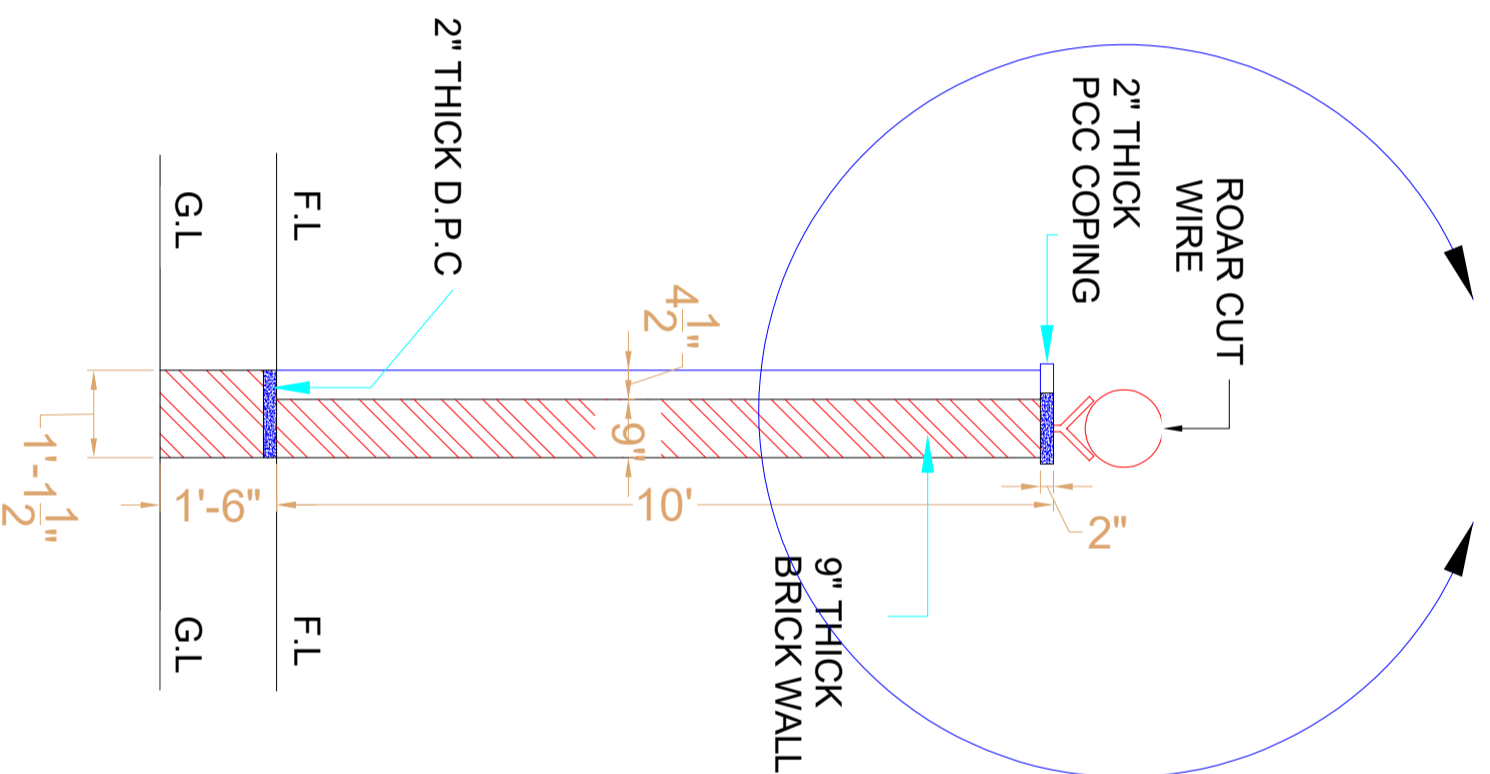
**PLANNERS CONSULTANTS ENGINEERS (PCE)**

97-K Industrial Estate, Hayatabad Peshawar Pakistan  
Ph: 0092-91-5816017, 5891661-4, Fax: 5891845  
E-Mail: pce.pesh@yahoo.com

SCHOOL NAME

GBES BANGASH COLONY  
PIRWADHAI RAWALPINDI  
DISTRICT ATTOCK

Date of Revision	Prepared By	ARCHITECT	PROJECT:
	Designed By	MARWAT KHAN ORAKZAI (B.Arch,D.C.E.T Kanoh) (M.Arch,UET, Lahore)	PREPARATION OF DESIGN DRAWINGS & BOOKS FOR CONSTRUCTION/REHABILITATION OF SITES
	Checked By		TITLE: FRONT ELEVATION OF BOUNDARY WALL
	Approved By		DATE SEP 2023
			SCALE
			DRG.NO. A-02



# SECTION AT A.A

CLIENT:



CONSULTANTS:

**PLANNERS CONSULTANTS ENGINEERS (PCE)**

97-K Industrial Estate, Hayatabad Peshawar Pakistan  
 Ph: 0092-91-5816017, 5891661-4, Fax: 5891845  
 E-Mail: pce.pesh@yahoo.com

SCHOOL NAME

GBES BANGASH COLONY  
 PIRWADHAI RAWALPINDI  
 DISTRICT ATTOCK

Date of Revision

Prepared By

ARCHITECT  
 FARHAD KHAN KHANJANADER

PROJECT:

PREPARATION OF DESIGN, DRAWINGS & BOQS  
 FOR CONSTRUCTION/ REHABILITATION OF SITES

TITLE:

SECTION AT A.A

DATE

SEP 2023

SCALE

DRG.NO.

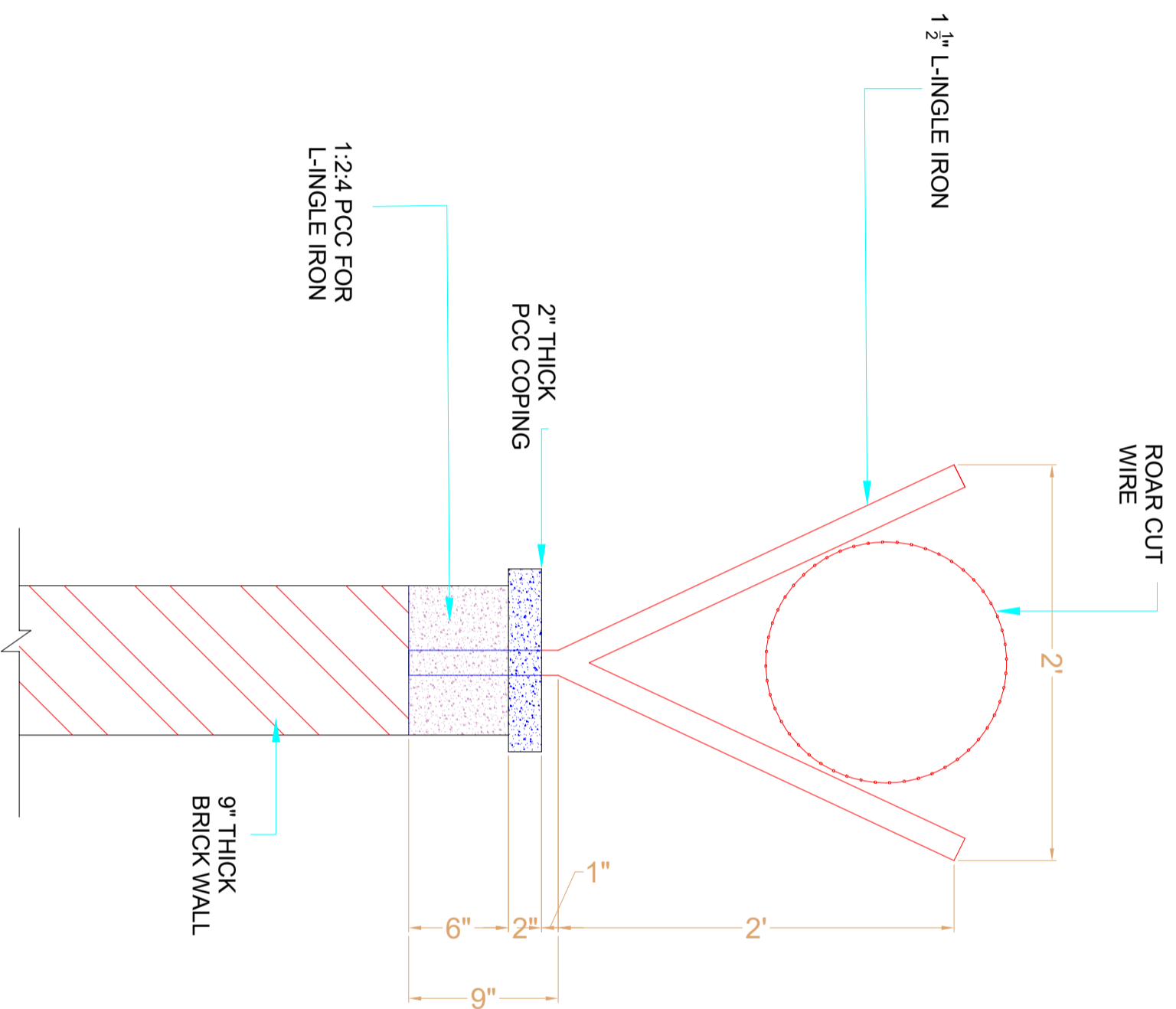
A-03

Designed By

MARWAT KHAN ORANZAI  
 (B.Arch, D.C.E.T Karachi  
 (M.Arch, UET, Lahore)

CHECKED BY

APPROVED BY



## DETAIL B.B

CLIENT:



The UN Refugee Agency



CONSULTANTS:  
**PLANNERS CONSULTANTS ENGINEERS (PCE)**  
 97-K Industrial Estate, Hayatabad Peshawar Pakistan  
 Ph: 0092-91-5816017, 5891661-4, Fax: 5891845  
 E-Mail: pce.pesh@yahoo.com

SCHOOL NAME

GBES BANGASH COLONY  
 PIRWADHAI RAWALPINDI  
 DISTRICT ATTOCK

Date of Revision	Prepared By	ARCHITECT
	Designed By	MARWAT KHAN ORAKZAI (B.Arch, D.C.E.T Karachi)
	Checked By	(M.Arch, UET, Lahore)
	Approved By	

PROJECT:	DATE	SCALE	DRG. NO.
PREPARATION OF DESIGN DRAWINGS & BOOK FOR CONSTRUCTION/REHABILITATION OF SITES	SEP 2023	DETAIL B.B	A-04

**STRUCTURE DRAWINGS OF  
(BOUNDARY WALL)  
GBES BANGASH COLONY  
PIRWADHAI RAWALPINDI  
DISTRICT ATTOCK**

## 1. GENERAL

1. READ ALL DRAWINGS IN CONJUNCTION WITH ARCHITECTURAL, GEOTECHNICAL, PLUMBING, MECHANICAL, ELECTRICAL & ANY OTHER RELEVANT DRAWINGS.
2. NOTES GIVEN IN THIS DRAWING ARE APPLICABLE TO ALL DRAWINGS UNLESS MENTIONED OTHERWISE. NOTES WRITTEN ON A DRAWING, SHALL BE APPLICABLE TO THAT PARTICULAR DRAWING ONLY UNLESS OTHERWISE CROSS-REFERRED
3. ALL MATERIALS AND WORKMANSHIP SHALL CONFORM TO THE SPECIFICATIONS OF THE CONTRACT DOCUMENTS. IN ABSENCE OF ANY SPECIFICATIONS, ALL MATERIALS & WORKMANSHIP SHALL CONFORM TO RELEVANT ACI/BRITISH CODES AND SHALL BE SUBJECTED TO APPROVAL OF THE ENGINEER.
4. THE CONTRACTOR SHALL BE RESPONSIBLE FOR THE SAFETY OF THE STRUCTURES DURING CONSTRUCTION. HE SHALL ALSO VERIFY ALL DIMENSIONS AND LEVELS BEFORE EXECUTION OF WORK. ANY DISCREPANCY, ERROR OR OMISSION, IF FOUND, SHALL BE BROUGHT TO THE NOTICE OF THE ENGINEER FOR CORRECTION AND APPROVAL.
5. THE CONTRACTOR SHALL CO-ORDINATE WITH VARIOUS SERVICES DRAWINGS FOR SIZES & LOCATION OF ALL STRUCTURAL MEMBERS, FLOORS, WALLS, OPENINGS, FLOOR FINISHES, PIPES ETC.
6. THE CONTRACTOR SHALL BE RESPONSIBLE FOR THE EXECUTION OF DEWATERING SYSTEM WHERE SO REQUIRED DURING CONSTRUCTION.
7. ALL DIMENSIONS & LEVELS ARE IN FEET & INCHES.
8. DO NOT SCALE THE DRAWINGS. DIMENSIONS, GIVEN ON THE DRAWING, SHALL GOVERN.
9. ALL FABRICATION, PAINTING, ERECTION AND QUALITY CONTROL IS TO BE DONE IN ACCORDANCE WITH THE LATEST APPLICABLE ACI/BRITISH SPECIFICATIONS.
10. BACKFILLING AROUND FOUNDATIONS AND WALLS SHALL BE WELL COMPACTED LAYERS NOT EXCEEDING 6 INCHES IN THICKNESS.
11. IT IS STRONGLY RECOMMENDED TO RECONFIRM THE SITE PLAN BEFORE START OF EXECUTION AT SITE. THE SITE SHOULD BE EXAMINED FOR CLEARANCE WITH RESPECT TO LOCAL/SEISMIC HAZARDS.
12. THE CONTRACTOR SHALL INFORM THE ENGINEER ABOUT ANTICIPATED CONSTRUCTION LOADS IN THE STRUCTURE AND OBTAIN ENGINEER'S APPROVAL THEREOF BEFORE COMMENCING THE WORK.
13. THE CONTRACTOR SHALL VERIFY LAYOUT, CONFIGURATION, ALL DIMENSIONS AND LEVELS PERTAINING TO EXISTING WORKS BEFORE PROCEEDING WITH THE WORK. THE CONTRACTOR SHALL ADOPT ADEQUATE AND APPROPRIATE MEASURES SO AS NOT TO DAMAGE THE EXISTING WORKS.
14. THE CONTRACTOR SHALL EXERCISE UTMOST CARE AND PRECAUTION DURING THE WORKS, AGAINST ANY MISHAPS OR ACCIDENTS. FOR WHICH THE CONTRACTOR SHALL BE WHOLLY AND SOLELY RESPONSIBLE. THE CONTRACTOR SHALL INDEMNIFY THE OWNER AGAINST ANY ACCIDENTS AND ANY LOSSES THEREFROM AND SHALL REPAIR AND RECTIFY THEM AT HIS OWN COST AND TIME.
15. ANY DEPARTURES/DEVIATIONS DESIRED FROM THE DESIGN OR SPECIFICATIONS, OR SOLUTIONS TO ANY PROBLEMS ENCOUNTERED, SHALL BE GOT APPROVED FROM THE ENGINEER PRIOR TO IMPLEMENTATION. UNAPPROVED DEPARTURES/DEVIATIONS MAY LEAD TO REJECTION/REPLACEMENT OF THE ENTIRE WORK AT THE CONTRACTOR'S COST.
16. THE CONTRACTOR SHALL PREPARE AND SUBMIT SHOP DRAWINGS AND BAR BENDING SCHEDULES. THE ENGINEER'S APPROVAL SHALL NOT RELIEVE THE APPROVAL BEFORE PROCEEDING WITH THE WORK. THE CONTRACTOR SHALL BE SOLELY RESPONSIBLE FOR THE ACCURACY OF SHOP DRAWINGS AND BAR BENDING SCHEDULES. FOR ENGINEER'S APPROVAL AND OBTAIN HIS CONTRACTOR FROM HIS RESPONSIBILITY.
17. The allowable bearing capacity of soil should be 1stf.

## 2. SHORING AND BRACING

1. SHORE & BRACE ALL PARTS OF THE STRUCTURE DURING CONSTRUCTION. TO THE EXTENT NECESSARY TO ENSURE COMPLETE SAFETY, STRENGTH & SERVICEABILITY OF ALL STRUCTURAL ELEMENTS UNDER ALL CONDITIONS OF LOADS WHICH MAY OCCUR DURING CONSTRUCTION. SUCH SHORING & BRACING IS THE CONTRACTOR'S SOLE RESPONSIBILITY AND IS NOT SHOWN ON STRUCTURAL DRAWINGS OR SPECIFIED IN THE PROJECT.
2. THE CONTRACTOR SHALL BE RESPONSIBLE FOR THE SAFETY AND STABILITY OF THE SLOPES AND SHALL PROVIDE SHORING AND BRACING DURING EXCAVATION AND CONSTRUCTION, WHEREVER AND WHENEVER REQUIRED.
3. SEQUENCE OF REMOVAL OF FORMWORK SHALL BE APPROVED BY THE ENGINEER.
4. AT LEAST ONE LOWER FLOOR SHALL REMAIN PROPPED UNTILL THE UPPER FLOOR IS CAST AND CURED.

## 3. REINFORCED CONCRETE

1. STRUCTURAL DESIGN IS BASED ON THE BUILDING CODE REQUIREMENTS FOR REINFORCED CONCRETE OF AMERICAN CONCRETE INSTITUTE (ACI 318).
2. ALL STRUCTURAL CONCRETE SHALL CONFORM TO AMERICAN CONCRETE INSTITUTE (ACI) REQUIREMENTS.
3. CONCRETE MIX TO BE DESIGNED ON THE BASIS OF ACI 211 OR EQUIVALENT. TRIAL STRENGTH RESULTS TO BE SUBMITTED BY THE CONTRACTOR FOR REVIEW AND APPROVAL BEFORE CONCRETING.
4. NO CONCRETING SHALL BE CARRIED OUT UNTIL PERMISSION IS GIVEN IN WRITING OR APPROVED BY STRUCTURE ENGINEER.
5. ALL CONCRETE SHALL BE TESTED IN ACCORDANCE WITH ASTM STANDARDS C31, C39, C127 & AS WRITTEN IN SPECIFICATIONS AND THE MINIMUM CYLINDER CRUSHING STRENGTH OF CONCRETE AT 28 DAYS SHALL BE AS FOLLOWS. TESTING OF CLASS D & E CONCRETE SHALL BE PERFORMED IF SO SHAHEED CHAWK EXACT. NEAR ALFALAH FURNITURE LOWER DIRECTED BY THE ENGINEER.

CLASS \_\_\_\_\_ MIN. CYLINDER CRUSHING STRENGTH  
AT 28 DAYS (psi).

A	4000
B	3000
C	2400
D	1200
E	800

6. CLASS OF CONCRETE FOR DIFFERENT COMPONENTS OF THE STRUCTURE SHALL BE AS FOLLOWS UNLESS NOTED OTHERWISE:

COMPONENT	CONCRETE CLASS
COLUMNS	CLASS 'B'
FOUNDATION	CLASS 'B'
LEAN / BLINDING CONCRETE	CLASS 'E'

7. ORDINARY PORTLAND CEMENT SHALL BE USED FOR ALL CONCRETE WORKS.
8. AN INTEGRAL WATER PROOFING AGENT SHALL BE USED IN CONCRETE THAT IS CONSTANTLY OR INTERMITTENTLY IN CONTACT WITH WATER AS PER MANUFACTURER'S RECOMMENDATIONS (GENCON GENPRUF RMC OR PENETRON ADMIX OR EQUIVALENT).
9. ALL DETAILING SHALL BE DONE AS PER ACI STANDARDS ACI-315, ACI-318 & ACI-350R.

STRUCTURAL ELEMENT	COVER (INCHES)
FOOTINGS	2"
BEAMS	1 1/2"
COLUMNS	1 1/2"
SLABS	3/4"
WALLS	3/4"

## 4. REINFORCING STEEL

1. ALL REINFORCING STEEL SHALL BE DEFORMED BARS CONFORMING TO ASTM A615 GRADE 60 HAVING A MINIMUM YIELD STRENGTH OF 60,000 PSI. FOR STIRRUPS, TIES AND #3 BARS USE ASTM A615, GRADE 60 HAVING MINIMUM YIELD STRENGTH OF 60,000 PSI.
  2. THE ACTUAL YIELD STRENGTH BASED ON MILL TESTS DOES NOT EXCEED THE SPECIFIED STRENGTH BY MORE THAN 18,000 PSI (RETESTS SHALL NOT EXCEED THIS VALUE BY MORE THAN AN ADDITIONAL 3000 PSI)
  3. THE RATIO OF THE ACTUAL ULTIMATE TENSILE STRENGTH TO THE ACTUAL TENSILE YIELD STRENGTH IS NOT LESS THAN 1.25
- L-GREATER CLEAR SPAN, db-DIAMETER OF BAR, d-EFFECTIVE DEPTH
- THE FIRST HOOP SHALL BE LOCATED NOT MORE THAN 2" FROM THE FACE OF THE SUPPORTING MEMBER.
- WHERE:

7. ALL REINFORCING STEEL SHALL BE ACCURATELY LOCATED IN THE FORMS AND HELD FIRMLY IN PLACE BEFORE & DURING THE PLACEMENT OF CONCRETE. BY MEANS OF WIRE AND SUPPORTS ADEQUATE TO PREVENT DISPLACEMENT DURING THE COURSE OF CONSTRUCTION.
8. LINTELS ARE EXTENDED AT 9 (INCHES) FROM BOTH SIDES OF OPENING.
9. PROVIDE 135° HOOK IN ADJACENT STIRRUPS ON ALTERNATE SIDES.

## 5. CONCRETE CONSTRUCTION

1. ALL STRUCTURAL SURFACES, AGAINST WHICH EARTH IS TO BE FILLED, SHALL BE COATED WITH TWO COATS OF HOT BITUMEN OF 10/20 GRADE AT THE RATE OF 0.2 lbs/ft<sup>2</sup>/coat.
2. PROVIDE POLYETHENE SHEET OVER TWO COATS OF HOT BITUMEN AT TOP OF PLINTH BEAM/DPC FOR EXTERIOR WALLS.
3. BEFORE CASTING OF ANY STRUCTURAL MEMBER, THE CONTRACTOR SHALL ENSURE THAT ALL EMBEDDED ITEMS FOR ELECTRICAL, MECHANICAL, HVAC, PLUMBING, STRUCTURAL STEEL AND OTHER WORKS ARE PROPERLY LOCATED AND FIRMLY SECURED IN PLACE.
4. DURING CONSTRUCTION, STACKING OF CONSTRUCTION MATERIALS, BLOCKS, etc. SHOULD BE AVOIDED ON SLAB PANELS.

## 6. BRICK WORK

1. ALL BRICK WORK SHALL CONFORM TO SPECIFICATIONS GIVEN IN THE CONTRACT DOCUMENT.
2. ALL BRICK SHALL BE SOUND, HARD, WELL BURNED AND OF UNIFORM SIZE, COLOUR AND TEXTURE. DIMENSIONAL VARIATION IN SIZES SHALL NOT EXCEED 1/8". BRICKS SHOULD BE IN ACCORDANCE WITH SPECIFICATIONS AND SHOULD CONFORM TO ASTM C62.
3. ALL BRICK WORK SHALL BE ERECTED PLUMB AND TRUE TO LINE AND LEVEL. THE MAXIMUM VARIATION IN ANY STOREY HEIGHT OR ANY LENGTH OF WALL SHALL BE 1/8" IN 10'-0"
4. MORTAR USED IN MASONRY CONSTRUCTION SHALL HAVE AN ULTIMATE COMPRESSIVE STRENGTH OF NOT LESS THAN 12 MPa (1800PSI) AND SHALL CONFORM TO ASTM C270.
5. COMPRESSIVE STRENGTH OF BRICK MASONRY AVERAGE OF 5 UNITS AT 28 DAYS SHALL NOT BE LESS THAN AS SPECIFIED IN SPECIFICATION AND SHALL CONFORM TO RELEVANT ASTM STANDARD.
6. ALL DESIGN, DETAILING, MATERIAL AND WORKMANSHIP SHALL BE IN ACCORDANCE WITH RELEVANT ACI, ASTM, AND UBC CODES AND STANDARDS.
7. BRICK SHALL BE LAID "FROG" UPWARD WITH MORTAR JOINT AND IN ENGLISH FLEMISH BOND OR AS SHAHEED CHAWK EXACT. NEAR ALFALAH FURNITURE LOWER DIRECTED BY THE ENGINEER.
8. BRICKS SHOULD BE SOAKED WITH WATER PROPERLY BEFORE USE.
9. VERTICAL JOINTS SHOULD BE STAGGERED.
10. ALL MASONRY WALLS SHALL BE ANCHORED TO STRUCTURAL FRAME WORK AS INDICATED ON THE DRAWINGS

CLIENT:



UNHCR  
The UN Refugee Agency

CONSULTANTS:



**PLANNERS CONSULTANTS ENGINEERS (PCE)**

97-K Industrial Estate, Hayatabad Peshawar Pakistan  
Ph: 0092-91-5816017, 5891661-4, Fax: 5891845  
E-Mail: pce.pesh@yahoo.com

SCHOOL NAME

(BOUNDARY WALL)  
GBES BANGASH COLONY  
PIRWADHDAL RAWALPINDI  
DISTRICT ATTOCK

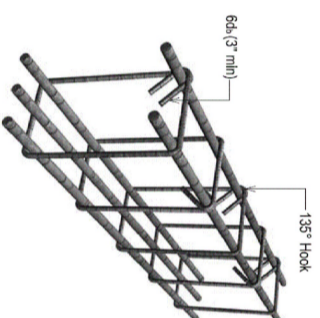
Date of Revision	Prepared By	STRUCTURE ENGINEER:
	Designed By	Egr. HUMZA AHMAD
	Checked By	
	Approved By	

PROJECT:	TITLE:	
PREPARATION OF DESIGN DRAWINGS & BOOK FOR CONSTRUCTION/ REHABILITATION OF SITES	GENERAL NOTES	
DATE	SCALE	DRG. NO.
SEP 2023		A-01

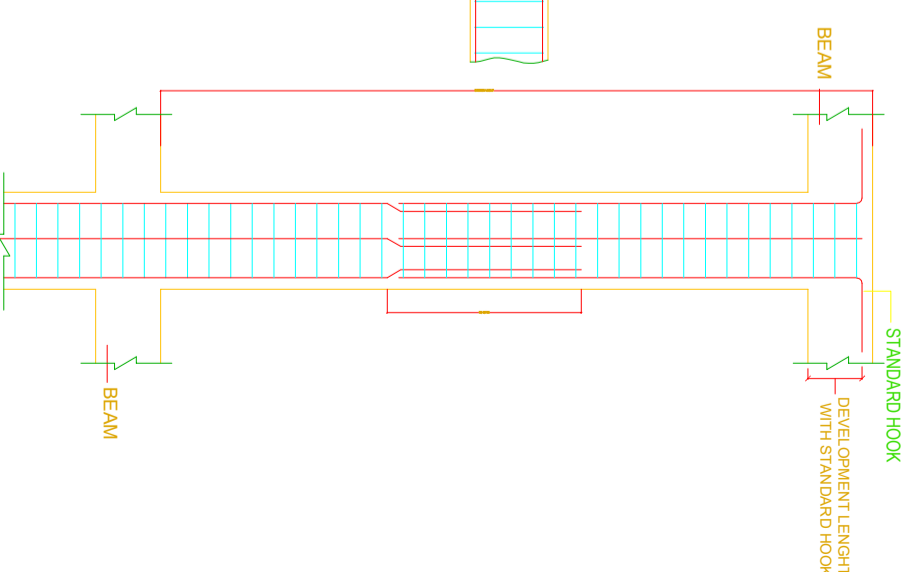
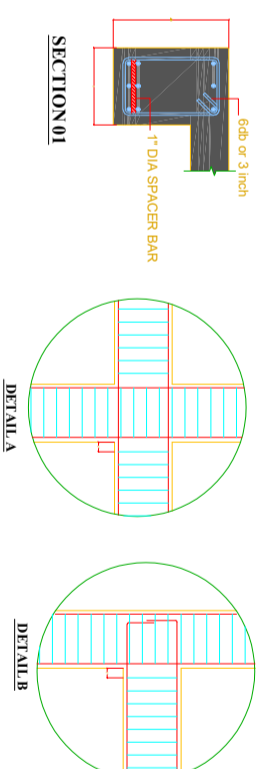
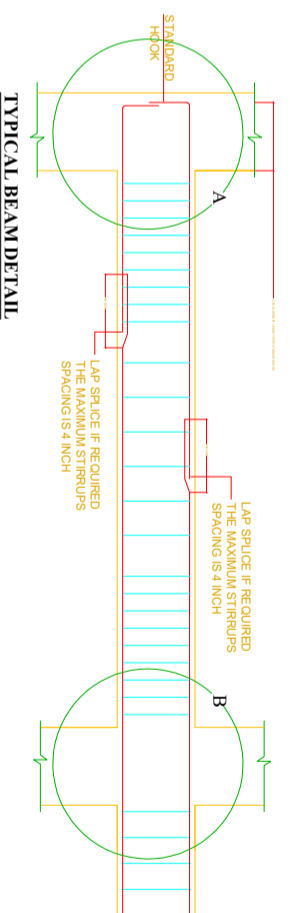
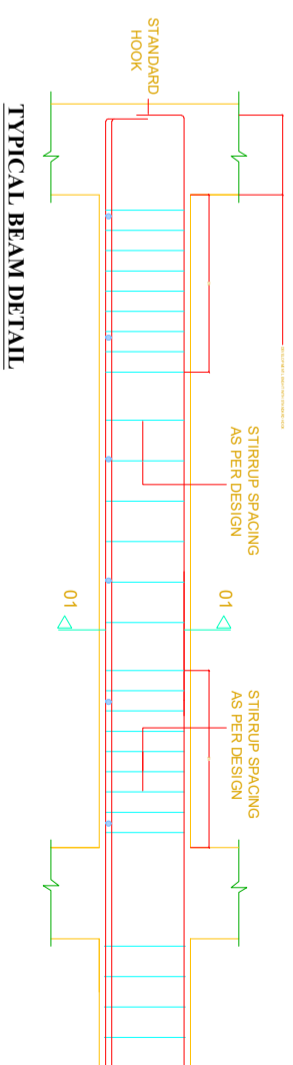


## 7. CONSTRUCTION JOINTS

- JOINTS, NOT SHOWN ON THE DRAWING, SHALL BE SO MADE AND LOCATED AS TO LEAST IMPAIR THE STRENGTH OF THE STRUCTURE AND SHALL NEED PRIOR APPROVAL OF THE ENGINEER. THEY SHALL BE LOCATED NEAR THE MIDDLE OF THE SPANS OF SLAB & BEAMS. JOINTS IN WALLS & COLUMNS SHALL BE AT THE UNDERSIDE OF FLOORS, SLABS OR BEAMS AND AT THE TOP OF FOOTINGS OR FLOOR SLABS.
- JOINTS SHALL BE PERPENDICULAR TO MAIN REINFORCEMENT. ALL REINFORCING STEEL SHALL BE CONTINUED ACROSS THE JOINTS.
- JOINTS IN BASE SLAB & WALLS AND ROOF SLAB, IN ADDITION TO THOSE SHOWN ON THE DRAWINGS SHALL BE BORNE BY THE CONTRACTOR. BEAMS & BRACKETS SHALL BE PLACED AT THE SAME TIME AS SLABS.



SEISMIC HOOK DETAILS



DEVELOPMENT LENGTH IN TENSION (ACI 21.5.4.1)	
BAR DIA	DEVELOPMENT LENGTH (INCHES)
3/8"	18
1/2"	24
3/4"	30
1"	48

SPUCE LENGTH (ACI 21.3.2.4, Class B Splice)	
BAR DIA	MINIMUM SPLICE LAP LENGTH (INCHES)
3/8"	15
1/2"	20
3/4"	30
1"	48

DEVELOPMENT LENGTH IN TENSION (ACI 21.5.4.1)	
BAR DIA	DEVELOPMENT LENGTH (INCHES)
1/2"	22
5/8"	30
3/4"	34
1"	55

SPUCE LENGTH (ACI 21.3.2.4, Class B Splice)	
BAR DIA	MINIMUM SPLICE LAP LENGTH (INCHES)
1/2"	25
5/8"	-
3/4"	-
1"	-

CLIENT:



CONSULTANTS:



**PLANNERS CONSULTANTS ENGINEERS (PCE)**

97-K Industrial Estate, Hayatabad Peshawar Pakistan  
 Ph: 0092-91-5816017, 5891661-4, Fax: 5891845  
 E-Mail: pce.pesh@yahoo.com

SCHOOL NAME

(BOUNDARY WALL)  
 GBES BANGASH COLONY  
 PIRWADHAI RAWALPINDI  
 DISTRICT ATTOCK

Date of Revision

Prepared By

FARID KHAN  
 KHAN HAIDER  
 STRUCTURE ENGINEER

PROJECT:

PREPARATION OF DESIGN DRAWINGS & BOOKS  
 FOR CONSTRUCTION/REHABILITATION OF STIES

TITLE:

GENERAL NOTES

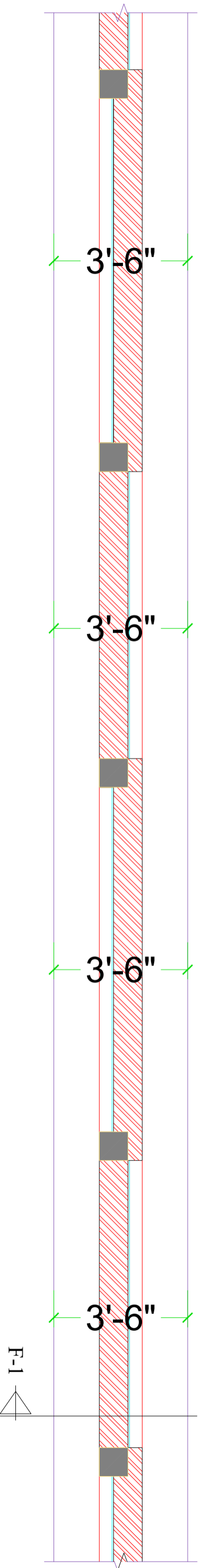
DATE

SEP 2023

SCALE

DRG.NO.

A-02



# FOUNDATION PLAN

CLIENT:



**CONSULTANTS:**  
**PLANNERS CONSULTANTS ENGINEERS (PCE)**

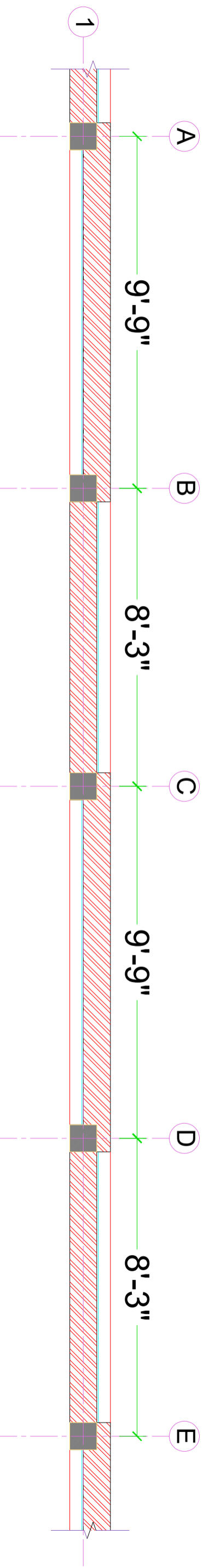
97-K Industrial Estate, Hayatabad Peshawar Pakistan  
 Ph: 0092-91-5816017, 5891661-4, Fax: 5891845  
 E-Mail: pce.pesh@yahoo.com

**SCHOOL NAME**

(BOUNDARY WALL)  
 GBES BANGASH COLONY  
 PIRWADHAI RAWALPINDI  
 DISTRICT ATTOCK

Date of Revision	Prepared By	FAHAD KHAN KIANI/OWNER
	Designed By	STRUCTURE ENGINEER:
	Checked By	Engr. HUMZA AHMAD
	Approved By	

PROJECT:		
PREPARATION OF DESIGN, DRAWINGS & BOOKS FOR CONSTRUCTION/ REHABILITATION OF SITES		
TITLE: FOUNDATION PLAN		
DATE	SCALE	DRG. NO.
SEP 2023		A-03



**COLUMN LAYOUT PLAN**

CLIENT:

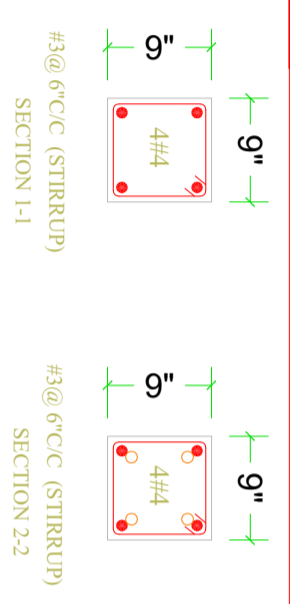


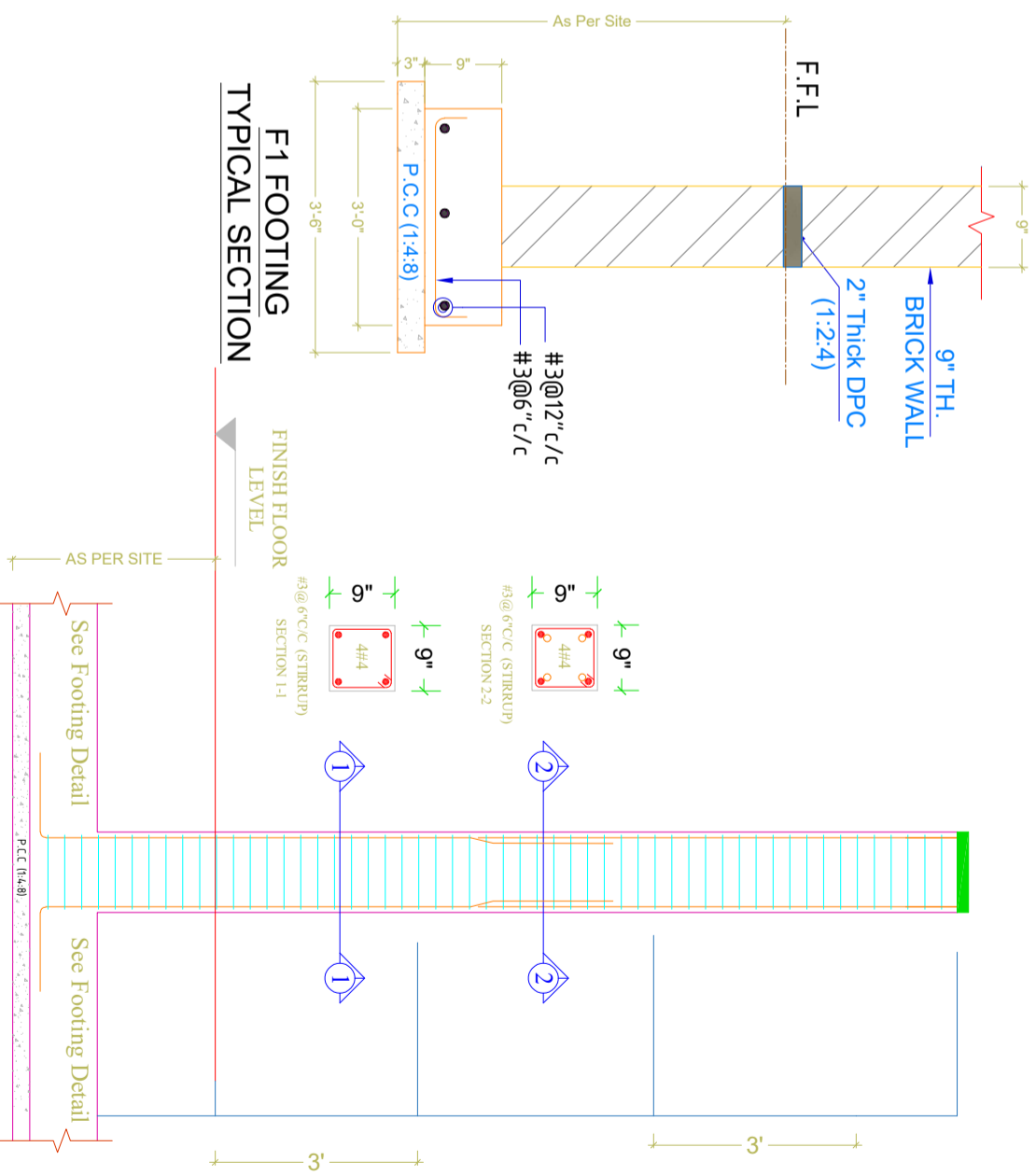
**CONSULTANTS:**  
**PLANNERS CONSULTANTS ENGINEERS (PCE)**  
 97-K Industrial Estate, Hayatabad Peshawar Pakistan  
 Ph: 0092-91-5816017, 5891661-4, Fax: 5891845  
 E-Mail: pce.pesh@yahoo.com

**SCHOOL NAME**  
 (BOUNDARY WALL)  
 GBES BANGASH COLONY  
 PIRWADHAI RAWALPINDI  
 DISTRICT ATTOCK

Date of Revision	Prepared By	FAHAD KHAN KIYAN HAIDER
	Designed By	Engr. HUMZA AHMAD
	Checked By	
	Approved By	

<b>PROJECT:</b>		
PREPARATION OF DESIGN, DRAWINGS & BOOKS FOR CONSTRUCTION/REHABILITATION OF SITES		
TITLE:	COLUMN LAYOUT PLAN	
DATE	SCALE	DRG. NO.
SEP 2023		A-04

SCHEDULE OF COLUMNS	
COLUMN TYPES	COL. C-1
GROUND FLOOR LEVEL	



CLIENT:



**CONSULTANTS:**  
**PLANNERS CONSULTANTS ENGINEERS (PCE)**  
 97-K Industrial Estate, Hayatabad Peshawar Pakistan  
 Ph: 0092-91-5816017, 5891661-4, Fax: 5891845  
 E-Mail: pce.pesh@yahoo.com

**SCHOOL NAME**

(BOUNDARY WALL)  
 GBES BANGASH COLONY  
 PIRWADHAI RAWALPINDI  
 DISTRICT ATTOCK

Date of Revision

Prepared By

FARID KHAN  
 KHAN HAIDER  
 STRUCTURE ENGINEER

PROJECT:

PREPARATION OF DESIGN DRAWINGS & BOOKS  
 FOR CONSTRUCTION/REHABILITATION OF SITES

TITLE:

COLUMN SECTIONS DETAIL

DATE  
 SEP 2023

SCALE

DRG.NO.

A-05