

**ANNEX B
PRICE PROPOSAL**

Construction and Rehabilitation works in Saranan & Surkhab school 5,8,15			
S.No	Description	School	Price
1	A 230 Feet boundary wall	School 15	
2	B 50 feet boundary wall (BW), 110 feet rise of BW,50 feet brick retaining wall, and dismantling of one classroom mud structure	school 5 & School 8	
	Total Rs		

**ANNEX B
PRICE PROPOSAL**

BOQs & COST ESTIMATE OF BOUNDARY WALL AT SCHOOL NO 15 SARANAN RV									
Sr. No	DESCRIPTION	MEASUREMENT				UNIT	QUANTITY	RATE	AMOUNT IN PKR
		NO	L	W	H/D				
COMPOUND WALL/ BOUNDARY WALL									
1	Dismantling Dismantling of the remaining portion of damaged boundary wall of 116 RFT and dismantling of back side of science lab of 100 RFT length, the cost should also include the carriage & dispose of surplus materials away from site/ school boundary.					JOB	1		
2	Excavation Excavation over areas as in Ordinary Soil upto 1.5 M depth, in foundation / to obtain earth for filling under floors / areas etc, or for shafts, wells exc 30 sqm each, throw earth clear of edges of excavation within 10 M.								
	Dimension of front Boundary wall	1	130	2	3	CFT	780		
	Dimension of back side Boundary wall	1	100	2	3	CFT	600		
Total Quantity						CFT	1380		
3	Lean Concrete in Foundations Providing and laying of Plum Concrete 1:4:8, with coarse aggregate graded as specified using 15 % boulders. (Cement Make: Lucky Cement/DG Cement/Elephant)(Grade 53)								
	Dimension of front Boundary wall	1	130	2	0.25	CFT	65		
	Dimension of back side Boundary wall	1	100	2	0.25	CFT	50		
Total Quantity						CFT	115		
4	Concrete Works in Boundary wall Providing and laying RCC (1:2:4) using shingle or gravel in columns, beams, stairs, posts, struts, piers, lintels, and the like requiring shuttering, as specified. Reinforcement measured and paid separately.								
	Concrete works in columns	23	0.75	0.75	12	CFT	155.25		
	Plinth Beam Concrete works	1	230	1.125	0.5	CFT	129.375		
	Dimension of front Boundary wall(Footing)	1	130	2	0.75	CFT	195		
	Dimension of back side Boundary wall(Footing)	2	100	2	0.75	CFT	300		
Total Quantity						CFT	779.625		

**ANNEX B
PRICE PROPOSAL**

5	Brick Masonry in Boundary wall/Compound wall Providing and laying of 9" in super structure & 13.5 inches in sub structure (Inches) sencond class bricks masonry laid and jointed in CM 1:3, including curing complete in all respect. At every 10 feet interval 9"x9" space should be left for RCC columns, which will startfrom the foundation (For details, drawing is atatched) Brick Masonry Foundation (Brick Make: NSR/SPL First Class Brick)							
	Sub Structure Brick Masonry Works (13.5 inches)	1	230	1.125	2	CFT	517.5	
	Super Structure Brick Masonry Works (9 inches)	1	230	0.75	9	CFT	1552.5	
	Total Quantity					CFT	2070	
6	Boundary wall Plaster worksPlaster Works Providing and applying 13mm/ thick Cement Plaster on both sides of Boundary wall 1:3 finished including curingas specified. (Cement Make: Lucky Cement/DGCement/Elephant)(Grade 53)							
	Internal & External Plaster (Front Boundary Wall)	2	130		9	SQFT	2340	
	Internal & External Plaster (Back side Boundary Wall)	2	100		9	SQFT	1800	
	Total Quantity					SQFT	4140	
7	Mild Steel in Boundary Wall Footing & Column Fabrication of mild steel reinforcement for cement concrete, including cutting, bending, laying in position, making joints and fastenings, including cost of binding wire and labour charges for binding of steel reinforcement (also includes removal of rust from bars):- Make: Mughal Steel/Amreli Steels High Yeild strength Deformed Steel Bars (HYSDSB)(Grade-60)					KG	1660	
8	Mil Steel Window Supply and fixing of Mild Steel window including fixingon concrete, or steel frames complete with all necessaryfittings, including 5 mm glass 9x9 wiremesh and also include the cost of paint.	2	6		5	SQFT	60	

**ANNEX B
PRICE PROPOSAL**

	Providing and fixing barbed wire fencing comprising 1.5"x 1.5"x 3/16" angle iron post 3 ft long, 4 ft c/c embedded in cement concrete 1:4:8 base of 9" x 9" x 12" size with three rows of barbed wire 6" c/c including binding wire and painting of posts.								
	Barbed wire 3 ply, 12 gauge (2.17 mm) thick	250				RFT	250		
9	Wicket Gate Installation at girls section side Providing and installing of MS gate of Gauge 16 by making frame with 1.5"x1.5" MS pipes of Gauge 16 in panels along with G.I sheets including Red oxide paint and finishing coat of paint. Gate Size: 3.5 x 7'								
	Wicket Gate	1		3.5	7	SQFT	24.5		
Total									
BOQs & COST ESTIMATE OF BOUNDARY WALL AT SCHOOL NO 8 Surkhab RV									
Sr. No	DESCRIPTION	MEASUREMENT				UNIT	QUANTITY	RATE	AMOUNT IN PKR
		NO	L	W	H/D				
3	Dismantling of old mud classroom including roof (material girders, bamboos etc) walls till foundation completely, disposing the material 5 km away from site and handing over materials like steel girder, iron wooden girder and bamboos to school management as per instruction of engineer								
	Classrooms	10	20	15		1.00	JOB		
2	Excavation Excavation over areas as in Ordinary Soil upto 1.5 M depth, in foundation / to obtain earth for filling under floors / areas etc, or for shafts, wells exc 30 sqm each, throw earth clear of edges of excavation within 10 M.								
	Boundary wall	1	50	2	3	CFT	300		
Total Quantity						CFT	300		
3	Lean Concrete in Foundations Providing and laying of Plum Concrete 1:4:8, with coarse aggregate graded as specified using 15 % boulders. (Cement Make: Lucky Cement/DG Cement/Elephant)(Grade 53)								
	Boundary wall	1	50	2	0.25	CFT	25		
Total Quantity						CFT	25		
4	Concrete Works in Boundary wall Providing and laying RCC (1:2:4) using shingle or gravel in columns, beams, stairs, posts, struts, piers, lintels, and the like requiring shuttering, as specified. Reinforcement measured and paid separately.								
	Concrete works in columns	30	0.75	0.75	12	CFT	202.5		

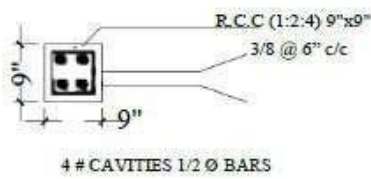
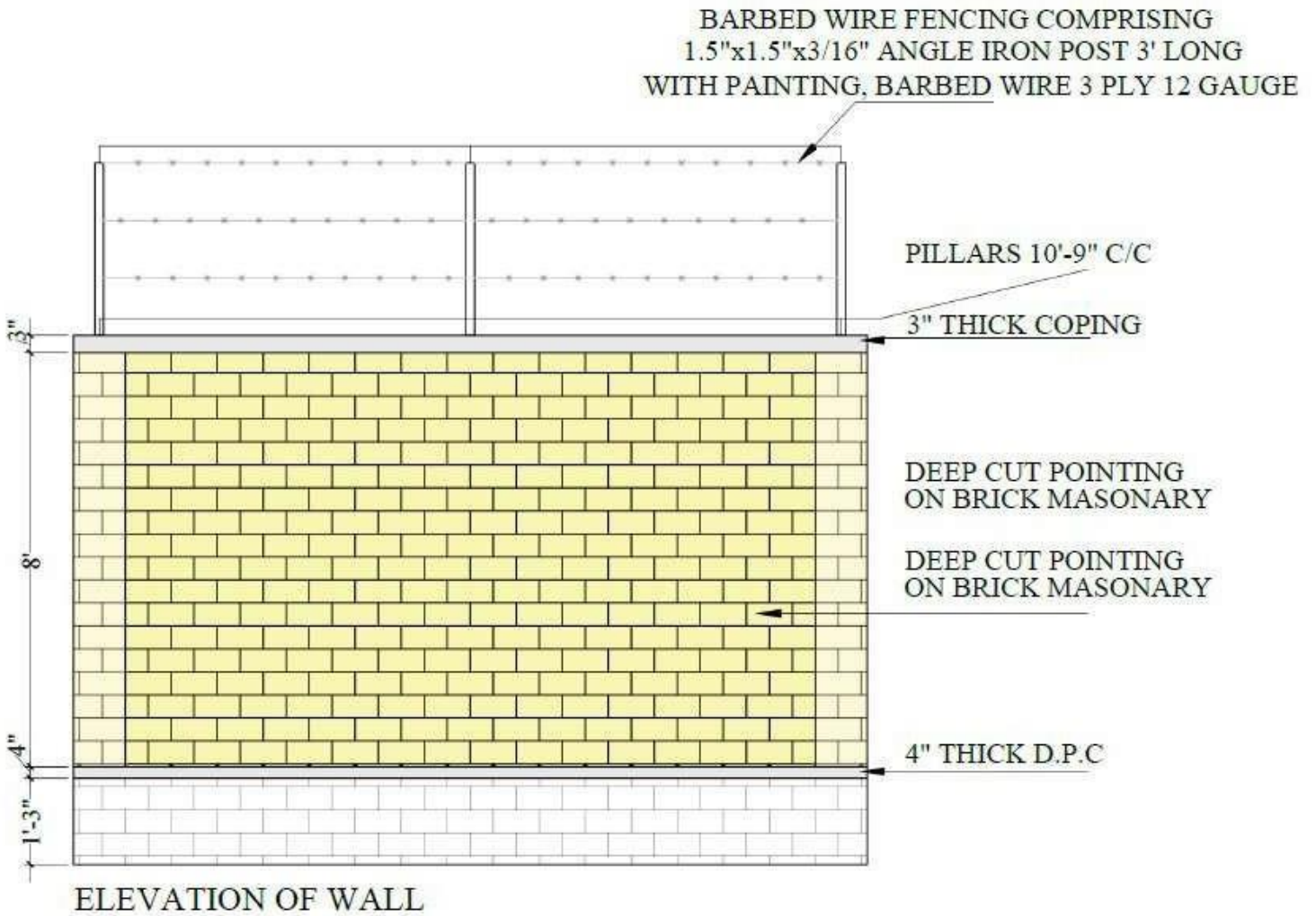
**ANNEX B
PRICE PROPOSAL**

	Plinth Beam Concrete works	1	50	1.125	0.5	CFT	28.125		
	Boundary wall	1	50	2	0.75	CFT	75		
	Total Quantity					CFT	305.625		
5	Brick Masonry in Boundary wall/Compound wall Providing and laying of 9" in super structure & 13.5 inches in sub structure (Inches) sencond class bricks masonry laid and jointed in CM 1:3, including curing complete in all respect. At every 10 feet interval 9"x9" space should be left for RCC columns, which will startfrom the foundation (For details, drawing is attached) Brick Masonry Foundation (Brick Make: NSR/SPL First Class Brick)								
	Sub Structure Brick Masonry Works (13.5 inches)	1	50	1.125	2	CFT	112.5		
	Super Structure Brick Masonry Works (9 inches)	1	50	0.75	9	CFT	337.5		
	Total Quantity					CFT	450		
5	Riasing of Brick Masonry in Boundary school 8 Providing and laying of 9" in super structure & 13.5 inches in sub structure (Inches) sencond class bricks masonry laid and jointed in CM 1:3, including curing complete in all respect. At every 10 feet interval 9"x9" space should be left for RCC columns, which will startfrom the foundation (For details, drawing is attached) Brick Masonry Foundation (Brick Make: NSR/SPL First Class Brick)								
	Super Structure Brick Masonry Works (9 inches)	1	110	0.75	4	CFT	330		
	brick wall for retaining wall at back side of school	1	40	0.75	4	CFT	120		
	Total Quantity					CFT	450		

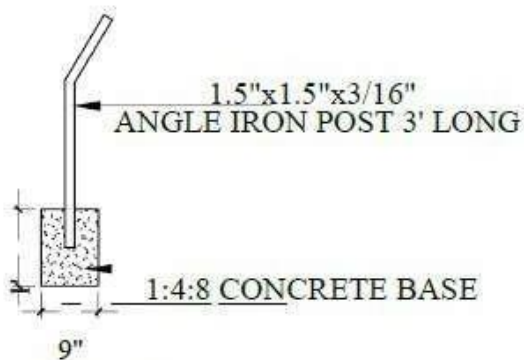
**ANNEX B
PRICE PROPOSAL**

6	Boundary wall Plaster works Providing and applying 13mm/ thick Cement Plaster on both sides of Boundary wall 1:3 finished including curing as specified. (Cement Make: Lucky Cement/DGCement/Elephant)(Grade 53)							
	Internal & External Plaster (Front Boundary Wall)	2	50		9	SQFT	900	
	Rising of boundary wall plaster school 8	2	110		4	SQFT	880	
Total Quantity						SQFT	1780	
	Providing and fixing barbed wire fencing comprising 1.5"x 1.5"x 3/16" angle iron post 3 ft long, 4 ft c/c embedded in cement concrete 1:4:8 base of 9"x 9"x 12" size with three rows of barbed wire 6" c/c including binding wire and painting of posts.							
	Barbed wire 3 ply, 12 gauge (2.17 mm) thick	160				RFT	160	
7	Mild Steel in Boundary Wall Footing & Column Fabrication of mild steel reinforcement for cement concrete, including cutting, bending, laying in position, making joints and fastenings, including cost of binding wire and labour charges for binding of steel reinforcement (also includes removal of rust from bars):- Make: Mughal Steel/Amreli Steels High Yield strength Deformed Steel Bars (HYSDSB)(Grade-60)							
	Footing	6	3	3	1		54	KG
	Plinth Beam Concrete works	50	1.5	5	1		375	
	columns	6	0.75	0.75	10		33.75	
							462.75	1156.875
								Total
Company Name: _____ Authorized Person & Title: _____ Signature and Stamp: _____ Date: _____								
								Grand Total

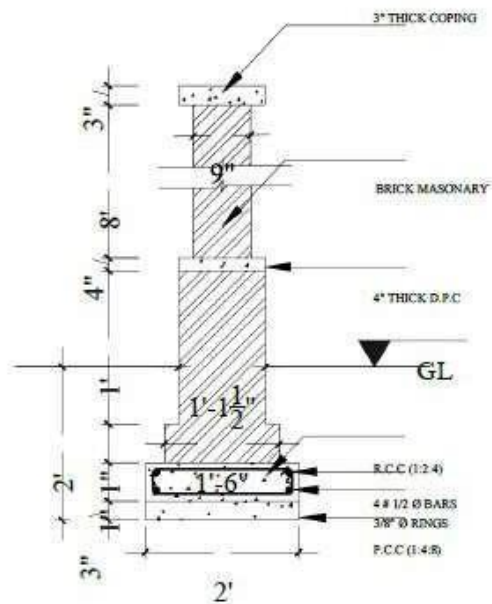
**ANNEX B
PRICE PROPOSAL**



SECTION OF COLUMN/PILLARS



SECTION OF POST



SECTION OF WALL